

Parts Manual for

SNAPPER®

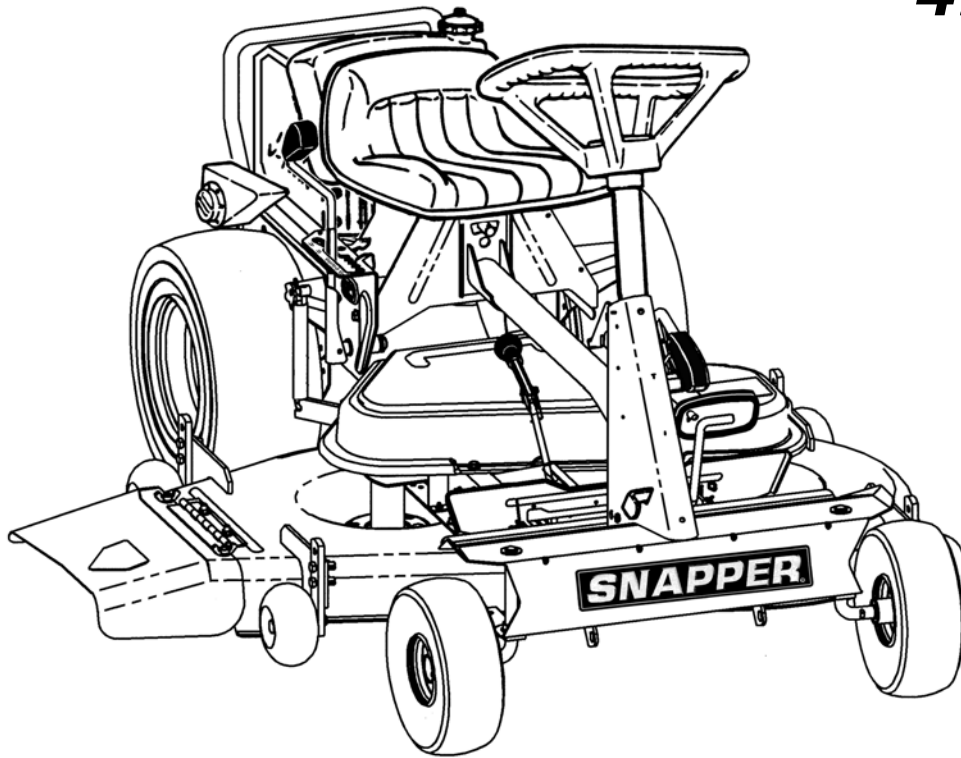
REAR ENGINE RIDER

42" MOWER

SERIES 22

MODELS

421622BVE

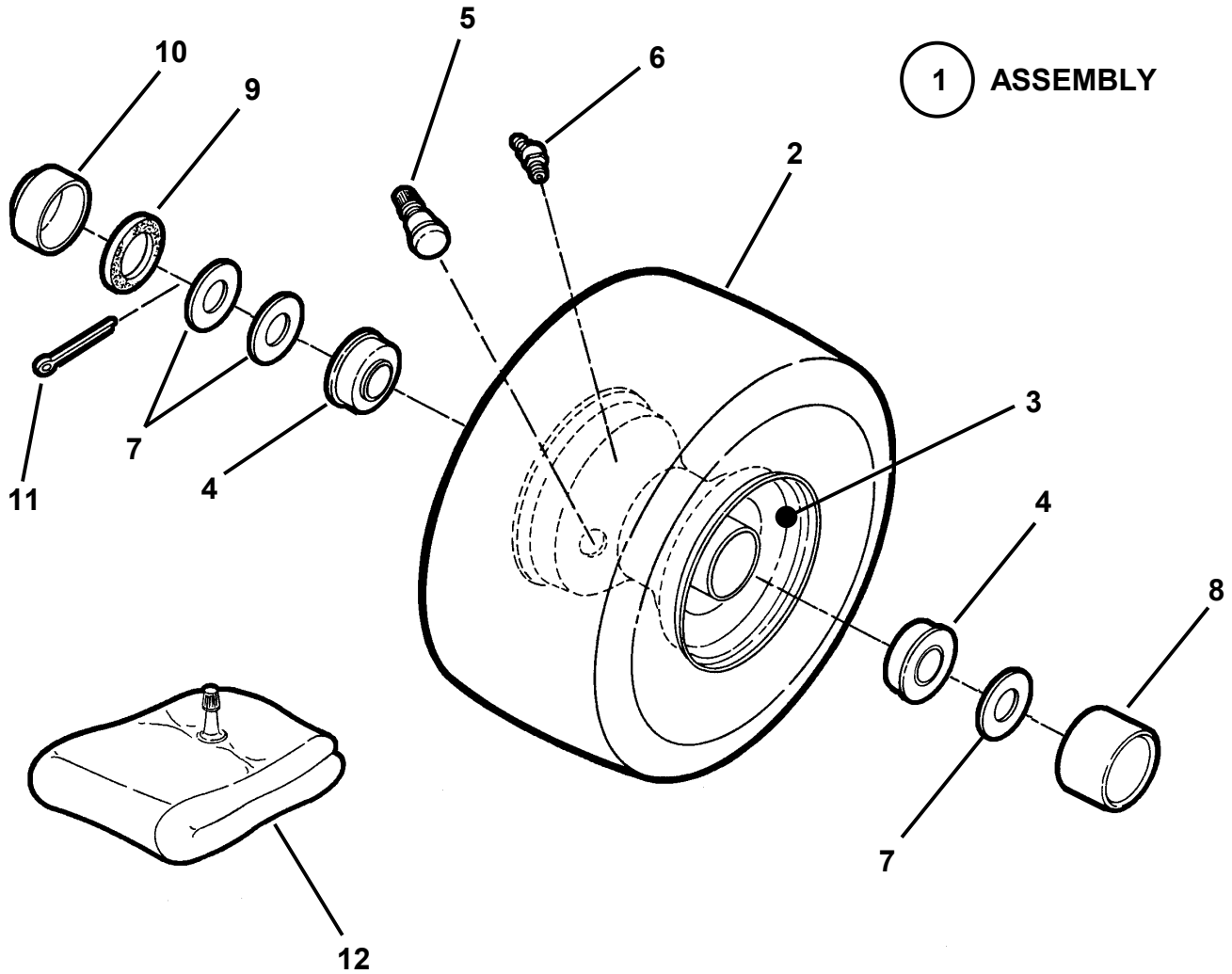


CONTENTS

DESCRIPTION	PAGE(S)	DESCRIPTION	PAGE(S)
WHEELS- TIRES	2-3	SPINDLE ASSEMBLY.....	22
FRONT END, STEERING.	4-5	DRIVE DISC ASSEMBLY.....	23
MAIN CASE.....	6-7	FUEL TANK & OPERATOR'S SEAT	24
DIFFERENTIAL, R. H. FENDER.....	8-9	EXHAUST MUFFLER, ENGINE	24
CHAIN CASE, L.H. FENDER.....	10-11	THROTTLE CONTROL	25
SMOOTH CLUTCH ASSEMBLY	12-13	ELECTRICAL SYSTEM.....	26-27
RAILS, LIFT ARMS, CAM LIFT	14-15	WIRING SCHEMATIC.....	28
CUTTING DECK, DEFLECTOR.....	16-19	DECALS	29-31
DECK COVER, BELTS, BLADE BRAKES.....	20-21	ACCESSORIES & ATTACHMENTS	36

SNAPPER® McDonough, GA., 30253 U.S.A.

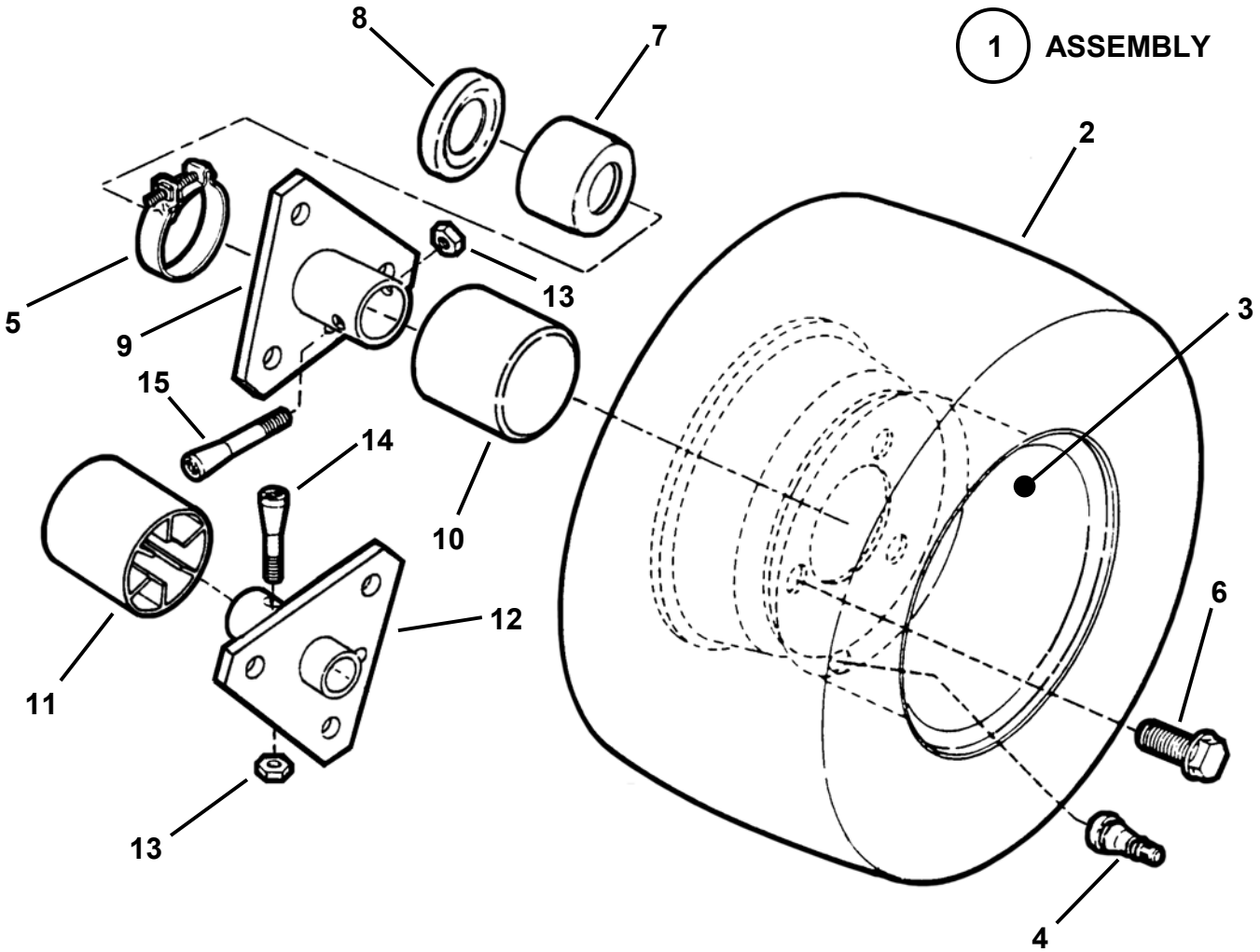
WHEELS - FRONT



ITEM	PART NO.	DESCRIPTION
1	5-8943	ASSEMBLY, Front Tire & Rim (11.0") (Includes Items 2 Thru 6)
2	7-3563	TIRE, Pneumatic 11 x 4.00-4 (Kenda)
3	1-7146	RIM (For 11.0 x 4.0 x 4 Tire)
4	1-1807	BEARING, Ball
5	1-2234	VALVE, Air (Snap-In)
6	1-4669	FITTING Lube
7	1-0935	WASHER (3)
8	1-1022	CAP, Hub
9	1-1032	SEAL, Felt
10	3-1038	CAP, Dust
11	9-1516	COTTER-PIN, 5/32 x 1"
12	1-0821	TUBE, Inner (For 4.10/3.50 x 4 Tire)

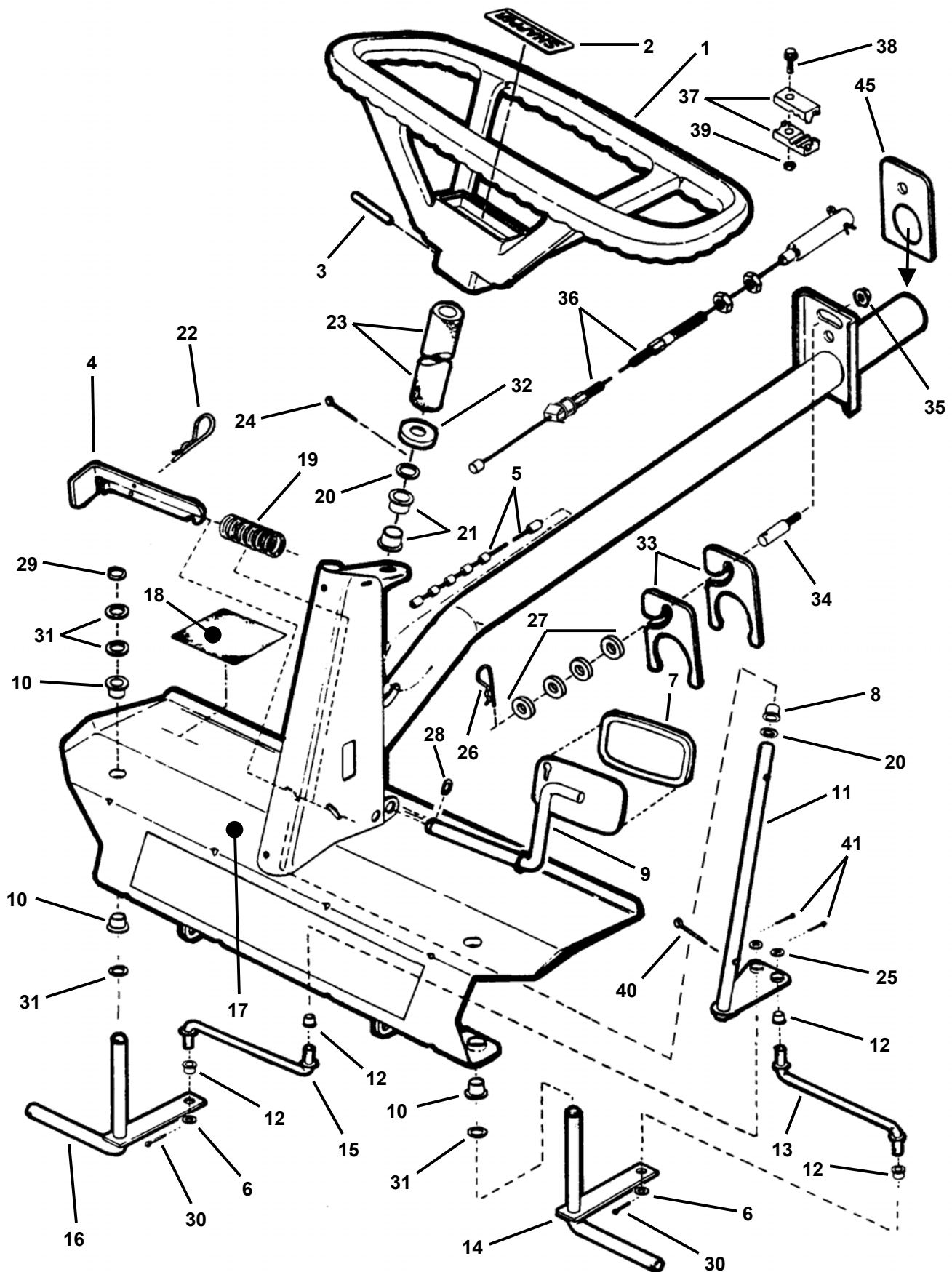
WHEELS - REAR

1 ASSEMBLY

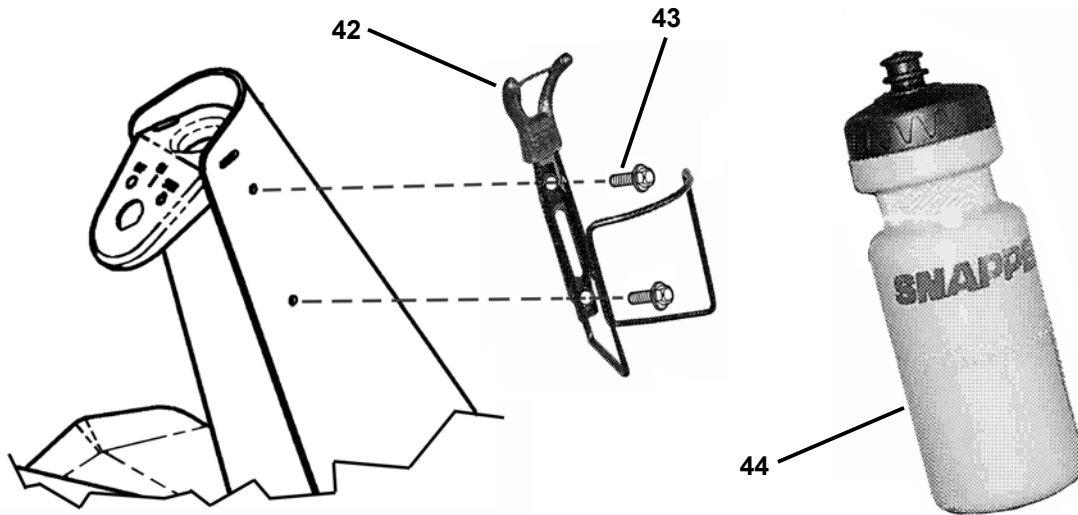


ITEM	PART NO.	DESCRIPTION
1	5-8951	ASSEMBLY, Rear Tire & Rim (Includes Items 2, 3, & 4)
2	7-3584	TIRE, 16 x 6.50-8 (Kenda)
3	1-7147	RIM, Ext. Wide, (For 16/7.50 x 8 Tire)
4	1-2234	VALVE, Air (Snap-in)
5	1-2332	CLAMP, Right Hand
6	9-1502	BOLT, 1/2-20 x 3/4" Lug (Grade 5) (6)
7	3-1732	BOOT, Right Hand
8	1-1817	SEAL, Oil
9	4-0433	HUB, Rear Wheel (Right Hand)
10	2-3895	CAP, Hub
11	2-3522	CAP, Hub (Left Hand)
12	4-0434	HUB, Rear Wheel (Left Hand)
13	1-1201	NUT, 5/16-24 Hex Center Lock
14	1-1035	BOLT, 5/16-24 x 1-5/8" Tapered (Left Hand)
15	1-1013	BOLT, 5/16-24 x 2" Tapered (Right Hand)

FRONT END, STEERING



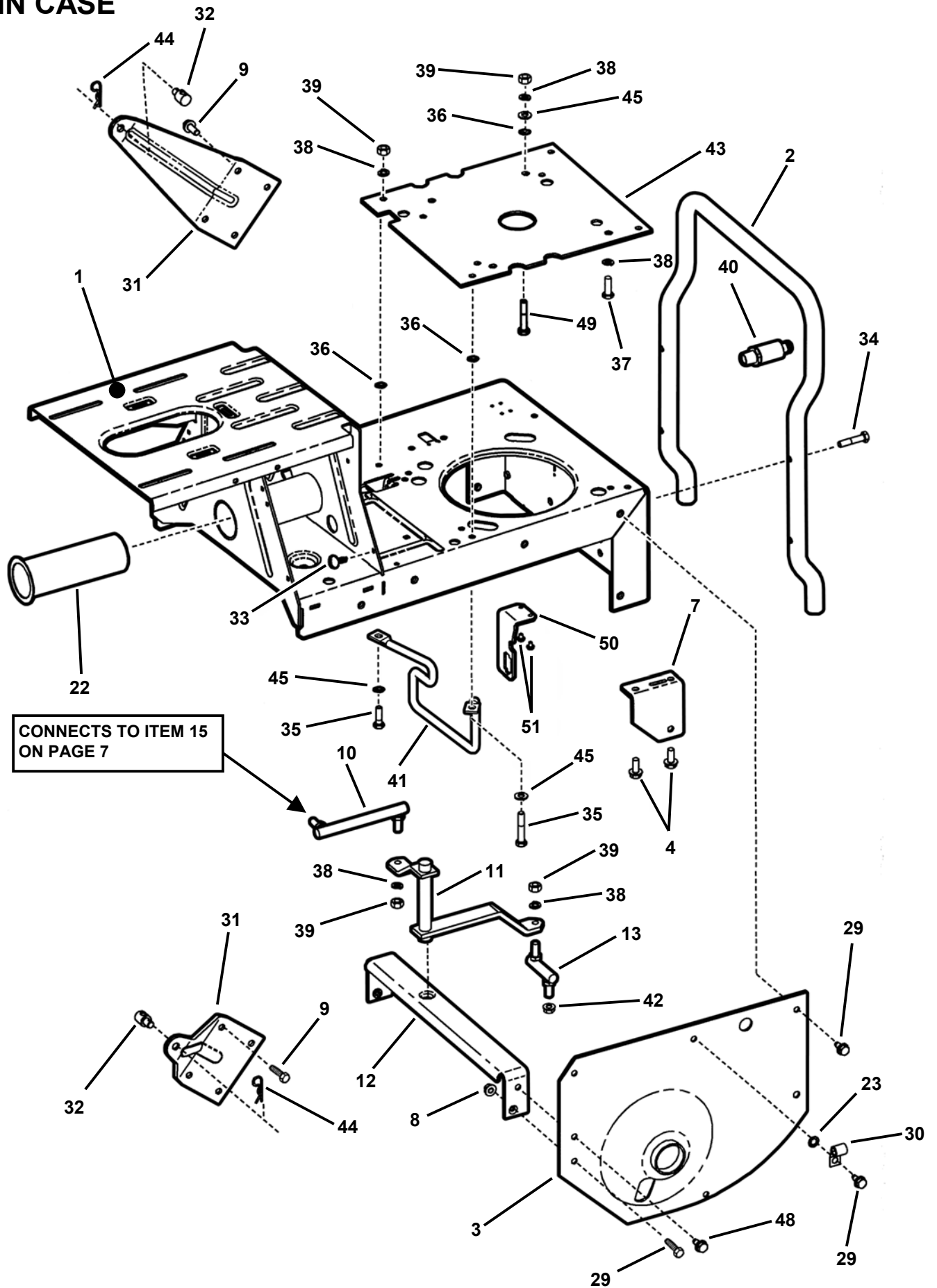
FRONT END, STEERING



ITEM	PART NO.	DESCRIPTION
1	5-8030	STEERING WHEEL (for 5/8" shaft) (includes item 2)
2	2-3781	LOGO, Steering Wheel
3	1-3862	PIN, 1/4" x 1-1/2" Roll
4	3-8243	LATCH, Parking Brake
5	7-4131	CABLE, Clutch (55" long) (for 33" & 42" Decks)
6	9-0122	WASHER, 3/8 Flat (2)
7	1-1815	PAD, Clutch/Brake Pedal
8	1-0694	BUSHING, Nylon
9	4-7888	PEDAL, Clutch/Brake (weldment)
10	1-0986	BEARING, Nylon (4)
11	4-6232	SHAFT, Steering (weldment)
12	1-3321	BUSHING, Tie-Rod (4)
13	1-2541	TIE-ROD, Left Hand (9.91" long)
14	4-1687	KING-PIN Weldment, Left Hand
15	1-2540	TIE-ROD, R. H. (9.91" long)
16	4-1688	KING-PIN, Weldment Right Hand
17	5-9197	WELDMENT, Front Axle, Wide
18	1-4048	FOOT PAD, Long (2)
19	1-5444	SPRING, Parking Brake
20	9-0183	WASHER, 21/32 I. Dia.(2)
21	4-6158	BUSHING, Nylon (2)
22	1-1714	PIN, Hair

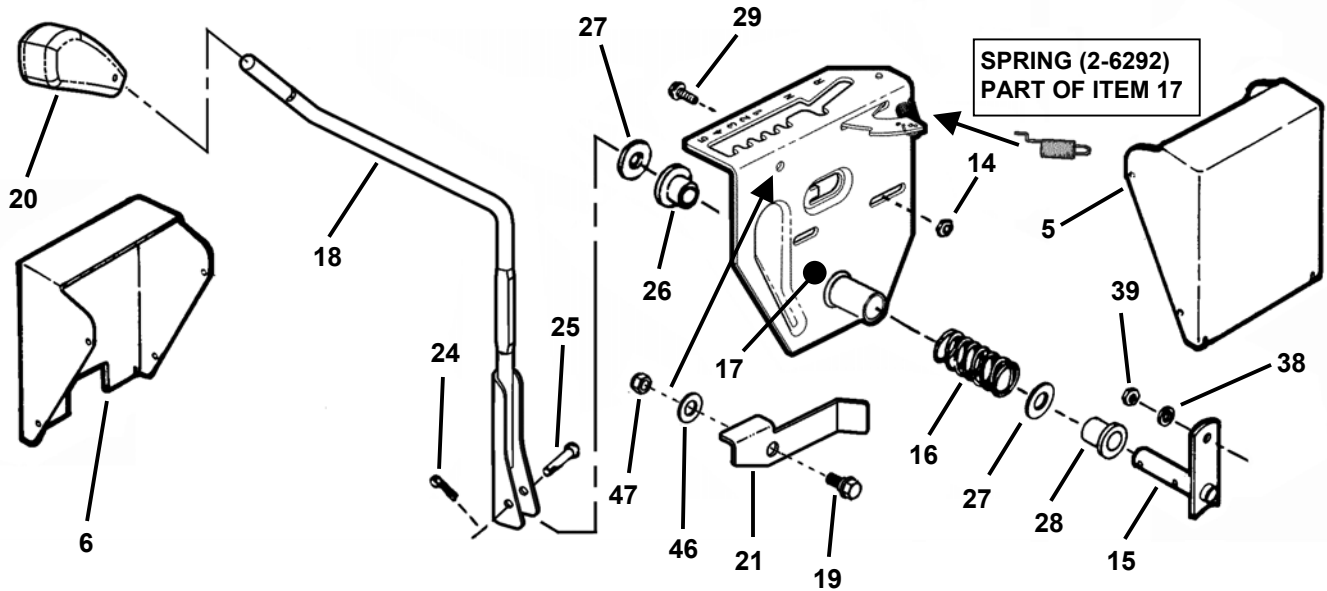
ITEM	PART NO.	DESCRIPTION
23	2-3667	FOAM COVER, Steering Shaft
24	9-0296	PIN, 3/16 x 1" Cotter
25	9-1514	WASHER, 3/8" Flat (2)
26	1-2867	PIN, Hair (.125" Dia. Wire)
27	2-2881	SPACER, 1/2" (5)
28	1-0776	RING, 1/2" External Retaining (Heavy Duty)
29	1-0746	RING, 3/4" Ext. Retaining (2)
30	9-0365	PIN, 1/8 x 3/4" Cotter (2)
31	1-0935	WASHER, 5/8 Flat (6)
32	2-3671	COVER, Steering Shaft
33	2-8395	SPACER, Pivot
34	2-8332	STUD, Shoulder (3/8-24 Thread)
35	9-0854	NUT, 3/8-24 Hex Nyloc
36	7-2648	CABLE, Brake (29" long)
37	3-4174	CONNECTOR, Cable (2)
38	9-1495	SCREW, 1/4-20 x 3/4", Gr. 5
39	9-0372	NUT, 1/4-20 Hex Center Lock
40	9-0753	PIN, 3/16" x 1-1/2" Cotter
41	9-0364	PIN, 5/32" x 1" Cotter (2)
42	7-4560	HOLDER, Wire- Bottle
43	9-0913	SCREW, #10-24 x 1/2" Hex Washer Self-Tap (2)
44	7-4561	BOTTLE, Water
45	7-4599	PLATE, Thrust

MAIN CASE



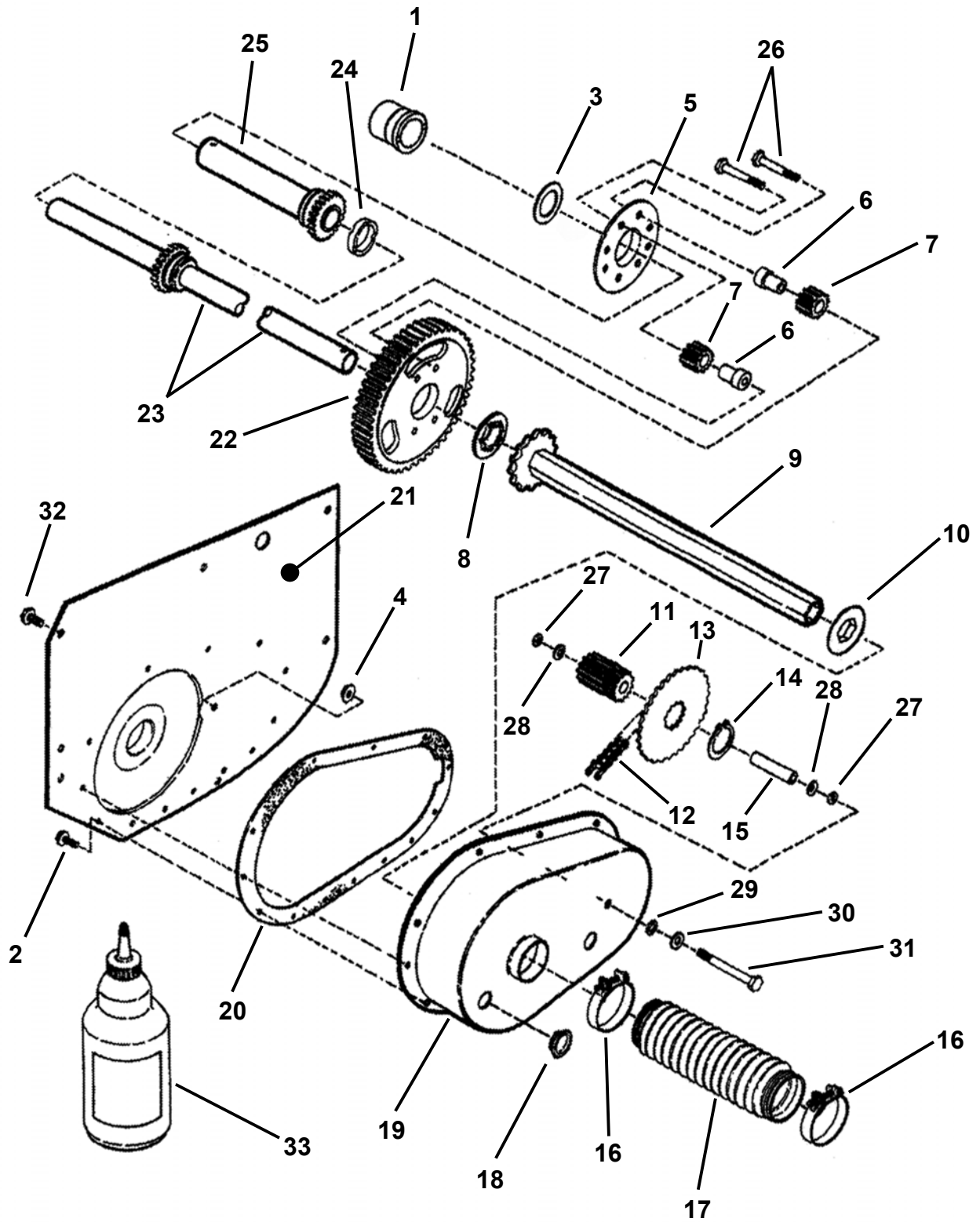
CONNECTS TO ITEM 15
ON PAGE 7

MAIN CASE



ITEM	PART NO.	DESCRIPTION	ITEM	PART NO.	DESCRIPTION
1	5-9202	CASE, Main (Weldment)	29	9-0361	SCREW, 5/16-18 x 5/8" Hex
2	3-3587	BUMPER, Rear (42" Models)	30	1-2652	Washer Self-Tap (10)
3	3-7285	FENDER, Left Hand (See Page 10 for Related Parts)	31	3-4299	CLIP, Wire
4	9-0595	BOLT, 5/16-18 x 3/4" Hex Flange Lock, Grade 5 (2)	32	2-8200	WING, Rear Deck (2)
5	2-8990	COVER, Battery	33	9-1272	SWIVEL (2)
6	7-3268	COVER, Solenoid	34	9-1506	FASTENER, Ratchet (7)
7	4-7189	BRACKET, Drive Support	35	9-0238	SCREW, 5/16-24 x 1" Hex Head Cap (4)
8	9-0585	NUT, 5/16-18 Flange Lock (2)	36	1-1791	SCREW, 5/16-24 x 1" Hex Head Cap (4)
9	9-0793	SCREW, 5/16-18 x 3/4" Hex Washer Self-Tap (4)	37	9-0324	RETAINER, 5/16 Bolt (4)
10	2-3676	LINK, Shift (Long)	38	9-1315	SCREW, 3/8-16x1" Self Tap (4)
11	4-1384	ARM, Shift (Weldment)	39	9-1297	WASHER, 5/16" Split Lock (7)
12	3-3799	BRACE, Cross	40	2-7972	NUT, 5/16-24 Hex, Grade 5 (7)
13	1-1018	LINK, Shift (Short)	41	2-7972	ASSEMBLY, Oil Drain
14	9-0196	NUT, 5/16-18 Hex (2)	42	2-8769	GUIDE, Belt (42" Models)
15	4-0598	ARM, Shift Handle (Weldment)	43	1-0969	NUT, 5/16-24 Hex Flange Lock
16	1-0754	SPRING, Shift Handle	44	7-4190	PLATE, Engine
17	5-8763	ASSEMBLY, Shift Detent (Incl. spring, part no. 2-6292)	45	9-1503	HAIRPIN, 3/32 x 1-1/2" (2)
18	5-9212	HANDLE, Shift (Weldment)	46	9-1296	WASHER 11/32 I.D.
19	1-5761	BOLT, 5/16-18 Shoulder	47	9-1595	WASHER, 7/16" Flat
20	2-3656	KNOB, Shift Handle	48	9-1298	NUT, 5/16-18 Nyloc
21	7-3289	LEVER, Over-Ride	49	9-0206	SCREW, 5/16-18 x 3/4" Hex Head Cap (2)
22	7-4650	BUSHING, Pivot	50	9-1513	SCREW, 5/16-24 x 1-3/4" Hex Head Cap, Grade 5
23	9-0391	WASHER, 5/16" Int. Tooth Lock	51	7-3735	BRACKET, Switch
24	9-0037	COTTER-PIN, 3/32 x 3/4"		9-0981	SCREW, #10-32 x 1/4" Hex Washer Head, Self-Tap
25	2-3914	PIN, 1/4 x 1-3/4" Tapered Clevis			
26	1-9245	BUSHING, Nylon			
27	3-1036	WASHER, Thrust (2)			
28	1-9246	BUSHING, Nylon (2)			

DIFFERENTIAL, R. H. FENDER

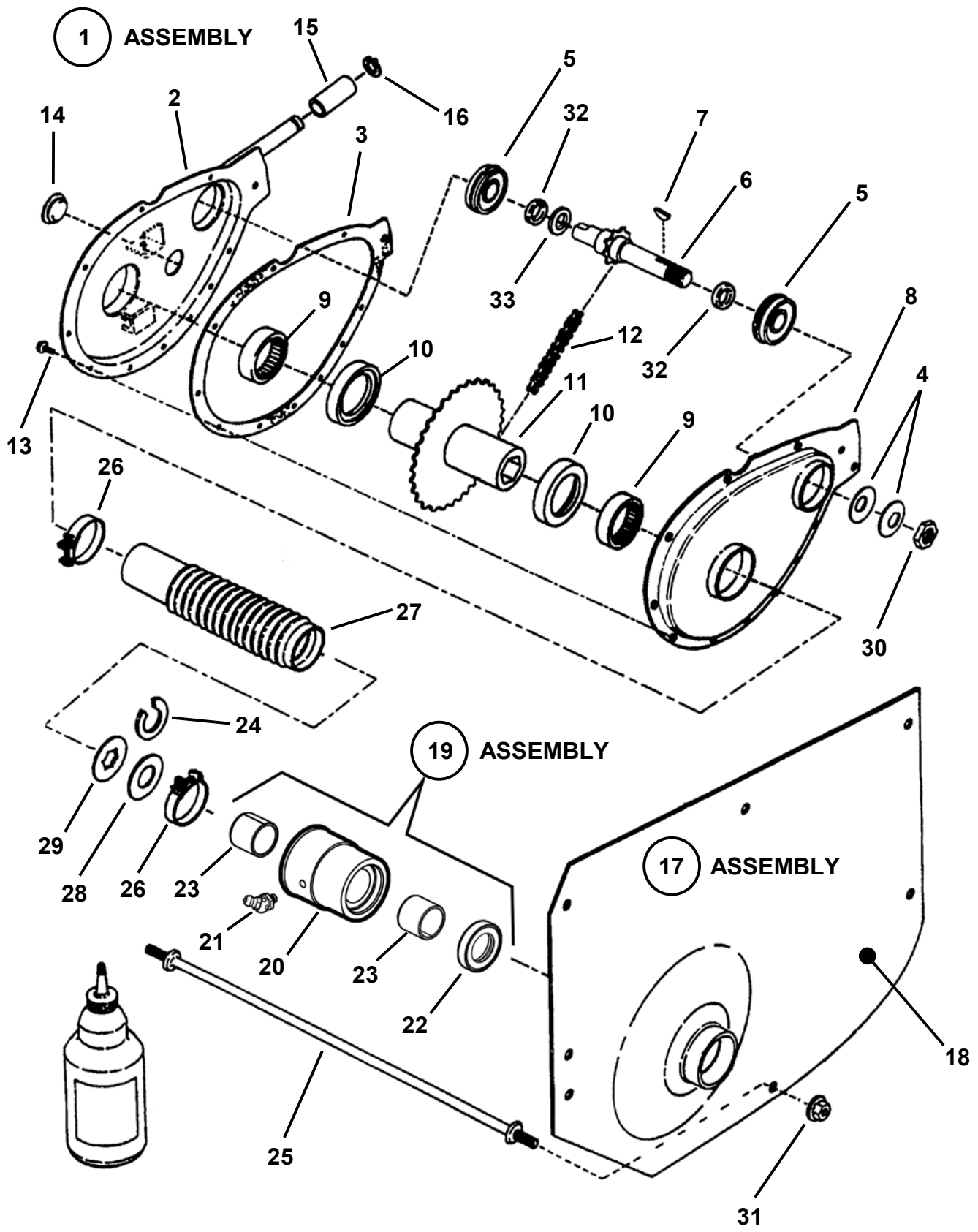


DIFFERENTIAL, R.H. FENDER

ITEM	PART NO.	DESCRIPTION
1*	5-4372	ASSEMBLY, R.H. Fender Bearing & DX Bearing
2	9-0362	SCREW, 1/4-20 x 5/8" Hex Washer Self-Tap (13)
3	3-1079	WASHER, Thrust
4	1-0969	NUT, 5/16-24 Hex Flange Lock
5	3-8067	PLATE, Differential
6	2-2115	SPACER, Pinion (8)
7	2-1127	GEARS, Differential Pinion (8)
8	1-1072	WASHER, Thrust
9	5-1584	ASSEMBLY, Drive Hex Tube
10	1-0988	WASHER, Hex Insert
11	1-0964	GEAR, 11 Teeth-10 Pitch
12	1-0941	CHAIN, 46 Pitch (#35)
13	2-1129	SPROCKET
14	1-0965	RING, 1-13/16" External Retaining
15	2-1128	SPACER
16	1-2332	CLAMP, Boot (for 2" Hose) (2)
17	1-7083	BOOT, Oil Seal
18	1-1024	PLUG, Oil Fill & Check
19	3-7279	CASE, Transmission
20	2-8762	GASKET, Transmission Case
21*	3-7280	FENDER, Right Hand
22	2-7644	GEAR, 63 Teeth-10 Pitch
23	4-7763	AXLE, Long (Includes Gear) (Use Only With Short Axle #5-7398)
24	7-4431	SPACER
25	5-7398	AXLE, Short (Includes Gear) (Use Only With Long Axle #4-7763)
26	1-2333	SCREW, 5/16-24 x 1-5/8" Hex Cap Special Lock (8)
27	1-1156	O-RING, 5/16 (2)
28	1-1782	WASHER, Belleville (2)
29	9-0395	WASHER, 5/16" External Tooth Lock
30	9-0188	WASHER, 5/16" Flat
31	1-1042	BOLT, 5/16-24 x 2-5/8" Idler
32	9-0361	SCREW, 5/16-18 x 5/8" Hex Washer Self-Tap (11)
33	6-1017	GREASE, SNAPPER Transmission (24 oz. Required)
--	5-7260	ASSEMBLY, Differential (Includes items 5, 6, 7, 23, 24, 25, & 26)
--	6-0662	KIT, Differential (Incl. 1-8822, Ball Bearing & 3-7957, Fender)
--	6-0411	KIT, Differential (Includes 1-2296, Powdered Metal Bearing for item 1 and 3-7280, Fender)

***NOTE: 5-9203 Cover & Fender Assembly is composed of items 1 & 21.**

CHAIN CASE, L.H. FENDER

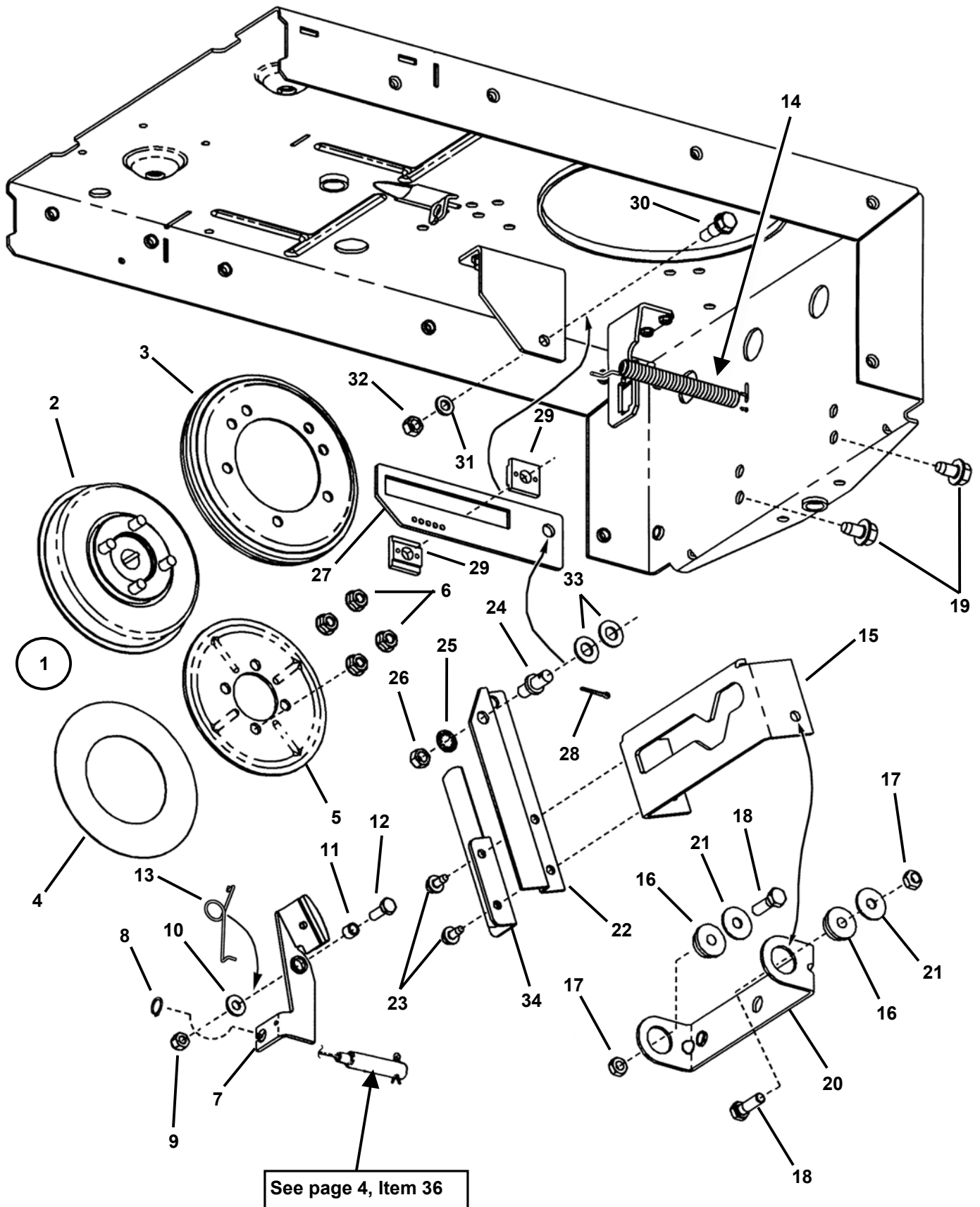


CHAIN CASE, L. H. FENDER

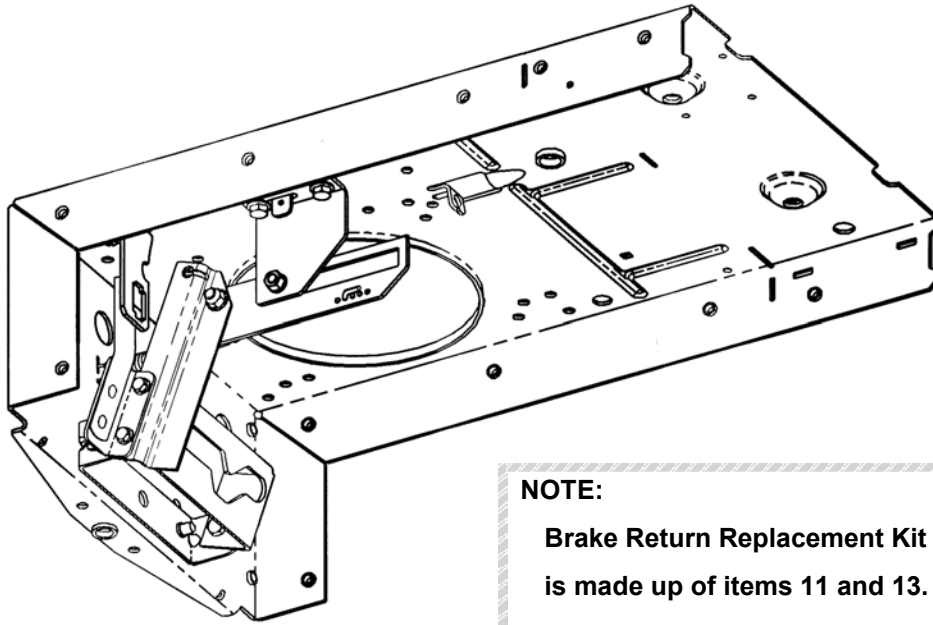
ITEM	PART NO.	DESCRIPTION
1	5-2683	ASSEMBLY, Chain Case (Includes Items 2 Thru 13, & 15, 16, 31, 30)
2	4-1136	CASE, Sprocket (Weldment)
3	2-8761	GASKET, Case Cover
4	1-1121	WASHER, Belleville
5	1-0756	BEARING, Ball (2)
6	1-8963	SPROCKET & SHAFT
7	1-0614	KEY, 1/8 x 5/8" Woodruff
8	3-9778	COVER, Chain Case
9	1-0942	BEARING, Needle (2)
10	1-1086	WASHER, Nylon Thrust (2)
11	4-0355	HUB & SPROCKET (Weldment)
12	1-0941	CHAIN
13	9-0307	SCREW, #10-24 x 5/8" Hex Washer Self-Tap (10)
14	1-1024	PLUG, Oil Fill & Check
15	2-2785	ROLLER
16	1-0776	RING, 1/2" External Retaining
17	5-9183	ASSEMBLY, Left Hand Fender (Includes items 18 & 19)
18	3-7285	FENDER, Left Hand
19	5-2827	ASSEMBLY, Axle Bearing (Incl. items 20 thru 23)
20	7-4184	BEARING, Left Hand Fender
21	1-3324	FITTING, Lube (for 3/16" diameter hole)
22	7-4500	SEAL, Dust/Grease Axle
23	7-4182	BEARING, 3/4" I. D. DX (2)
24	1-2271	WASHER, Shim (As Required)
25	1-1070	ROD, Cross-Tie
26	1-2332	CLAMP, Boot (2)
27	1-7084	BOOT, Oil Seal
28	1-1071	WASHER, Thrust Nylon
29	1-1072	WASHER, Thrust
30	9-1505	NUT, 5/8-18 Hex Nyloc
31	1-0969	NUT, 5/16-24 Hex Flange Lock
32	1-9260	O-RING (2)
33	2-7981	WASHER, Wave
--	6-1017	GREASE, SNAPPER Transmission (4 oz. Required)
--	5-1451	ASSEMBLY, Left Hand Fender (Includes Left Hand Fender P.N. 3-7958 & Ball Bearing P.N. 1-4624)

NOTE: See Pages 12 & 13 For Illustration Of Brake Lever Assembly And Related Parts.

SMOOTH CLUTCH ASSEMBLY



SMOOTH CLUTCH ASSEMBLY

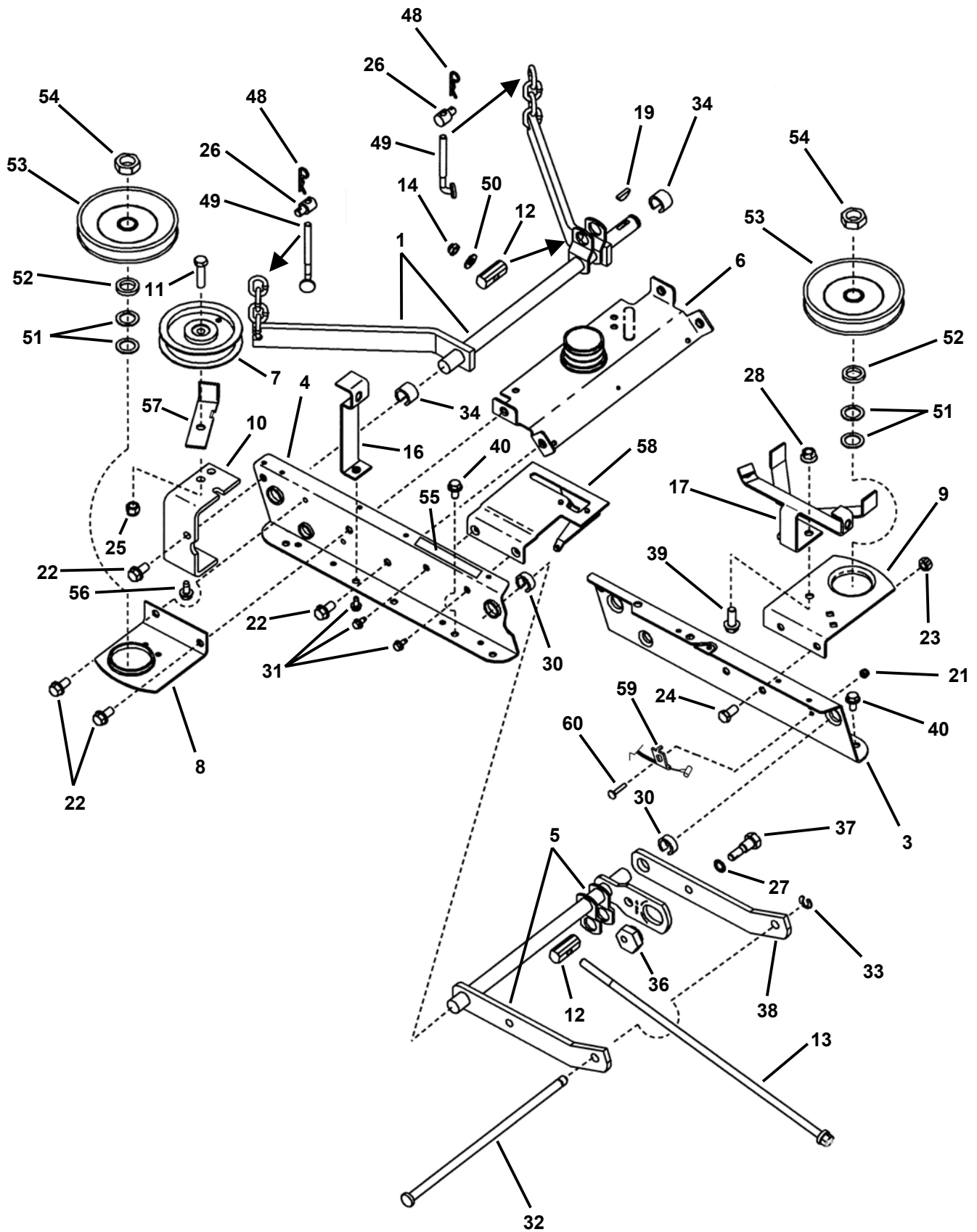


NOTE:

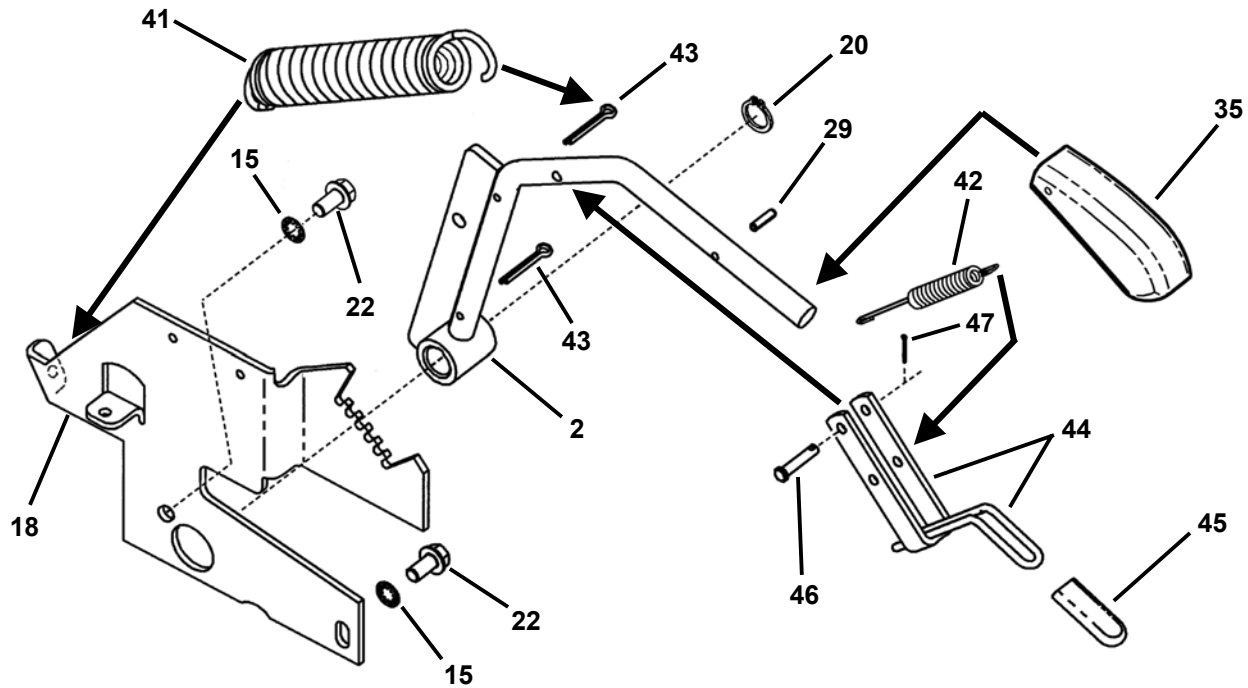
**Brake Return Replacement Kit (6-1197)
is made up of items 11 and 13.**

ITEM	PART NO.	DESCRIPTION
1	5-3114	ASSEMBLY, Smooth Clutch (Includes Items 2 thru 6)
2	5-4243	HUB, Driven Disc (assembly)
3	5-3103	DISC, Driven (rubber tire bonded to rim)
4	1-4523	WASHER, Thrust
5	3-2331	PLATE, Drive Disc
6	9-0585	NUT, 5/16-18 Hex Flange Lock (4)
7	5-2497	ASSEMBLY, Brake Lever (Includes Brake Lining & Rivet)
8	1-2313	RING, 3/8" External Retaining
9	9-0303	NUT, 1/4-28 Hex Top Lock
10	9-1294	WASHER, 1/4" Flat
11	7-2593	SPACER
12	9-1504	SCREW, 1/4-28 x 1" Hex Head Cap, Grade 5 (washer face)
13	7-2406	SPRING, Brake Return
14	1-3885	SPRING, Clutch Brake
15	4-6162	LIFT, Yoke
16	1-1048	BEARING, Yoke (2)
17	1-1201	NUT, 5/16-24 Hex Center Lock (2)
18	9-0238	SCREW, 5/16-24 x 1" Hex Head Cap, Grade 5 (2)
19	9-1198	SCREW, 3/8-16 x 5/8" Hex Washer Self-Tap
20	3-3291	COLLAR, Yoke
21	1-1763	WASHER, 5/16" Flat (2)
22	7-3733	ARM, Yoke
23	9-0539	SCREW, 1/4-20 x 1/2" Hex Washer Self-Tap (2)
24	1-5464	STUD (3/8-24 thread)
25	9-0390	WASHER, 3/8" Internal Tooth
26	9-1630	NUT, 3/8-24 Hex, Grade 5 or B
27	4-7190	BRACKET, Slide
28	9-0037	PIN, 3/32 x 3/4" Cotter
29	1-4663	SLIDE HALF (2)
30	1-4664	BOLT, 5/16-18 Shoulder
31	9-0187	WASHER, 5/16" Split Lock
32	9-0196	NUT, 5/16-18 Hex, Grade 5 or B
33	9-0122	WASHER, 3/8" SAE Flat (2)
34	5-9068	ASSEMBLY, Leaf Spring

RAILS, LIFT ARMS, CAM LIFT

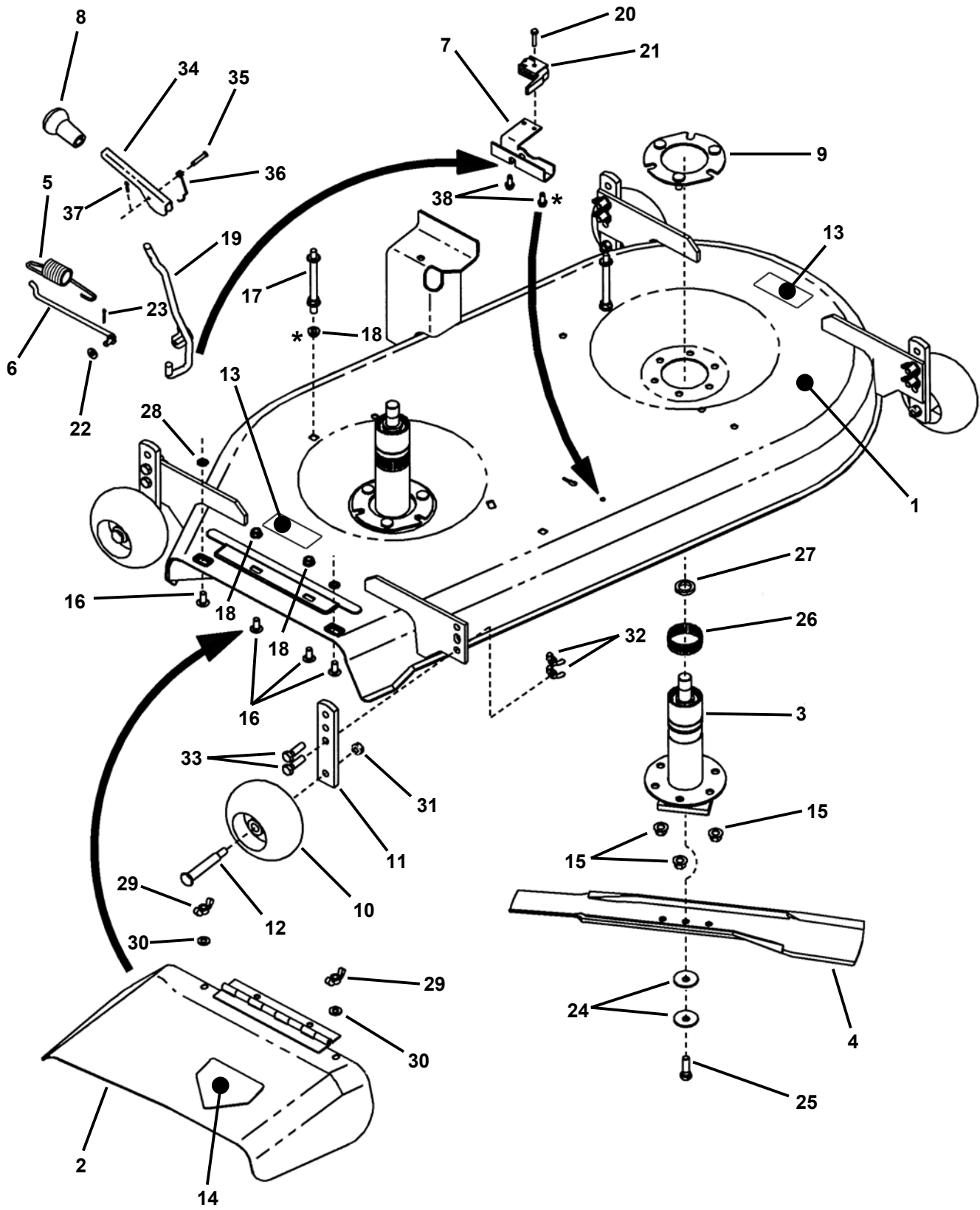


RAILS, LIFT ARMS, CAM LIFT



ITEM	PART NO.	DESCRIPTION	ITEM	PART NO.	DESCRIPTION
1	4-1248	ASSEMBLY, Rear Lift Arm	31	9-0858	SCREW, 5/16-18 x 1/2" Tap (4)
2	5-3300	LEVER, Height Adjustment Lift	32	2-2717	SUPPORT, Rod
3	7-3269	RAIL, Left Half	33	1-7847	RING, Retaining (2)
4	4-3848	RAIL, Right Half	34	1-2068	RING, Blue (2)
5	4-1578	STRUCTURE, Front Lift Arm	35	2-3658	GRIP, Height Adjustment Lever
6	4-0502	BRACE, Weldment	36	1-5447	ECCENTRIC, Leveling
7	1-8574	IDLER, 4-1/8" Flat (2)	37	1-5495	BOLT, 3/8-24 x 3/4" Shoulder
8	3-4759	SPINDLE, Brace (Right)	38	3-2997	ARM, Front Lift (Left Side)
9	3-8096	SPINDLE, Brace (Left)	39	2-7198	BOLT, 3/8-16 x 1" Hex Flange Lock, Grade 5
10	3-4763	BRACE/IDLER Mtg. Bracket	40	9-0606	BOLT, 5/16-18 x 5/8" Hex (4)
11	9-1497	SCREW, 3/8-16 x 1-1/2" Hex	41	2-4914	SPRING, Extension
12	3-4213	PIVOT	42	1-2122	SPRING, Latch
13	2-7944	ROD, Leveling	43	9-0753	COTTER-PIN, 3/16 x 1-1/2" (2)
14	9-0499	NUT, 3/8-24 Hex Top Lock (3)	44	4-1581	LATCH Weldment
15	9-0390	WASHER, 3/8 Int. Tooth Lock	45	2-6286	GRIP, Lift Latch
16	3-4857	GUIDE, Belt (Rod)	46	1-1021	PIN, 1/4 x 1-1/4" Clevis
17	4-2613	GUIDE, Belt, 42" RER (Weldm't)	47	9-0360	COTTER-PIN, 1/16 x 3/4"
18	3-4069	QUADRANT, Lift Lever	48	9-1503	HAIRPIN, 3/32 x 1-1/2" (2)
19	1-3861	KEY, 3/16 x 7/8" Woodruff	49	2-8728	ADJUSTER, Chain (2)
20	2-7920	RING, 3/4 Retaining	50	9-0122	WASHER, 3/8 Flat
21	9-1290	NUT, #10-24 Hex Nyloc	51	1-0935	WASHER, 3/4 Flat (2)
22	9-0815	SCREW, 3/8-16 x 3/4" Tap (6)	52	1-4526	SPACER, 3/4" I.D. (2)
23	9-0546	NUT, 3/8-16 Hex Center Lock (3)	53	1-4532	PULLEY, 5" O.D. (2)
24	9-0134	SCREW, 3/8-16 x 3/4" Hex (2)	54	7-4467	NUT, 3/4-16 Hex Jam Lock (2)
25	9-1299	NUT, 3/8-16 Hex Nyloc	55	7-3066	DECAL, Blade ON/OFF
26	2-8200	SWIVEL, Adjustable (2)	56	9-0361	BOLT, 5/16-18 x 5/8" Self-Tap
27	9-0390	WASHER, 3/8 Int. Tooth Lock	57	3-2368	GUIDE, Belt
28	9-0613	NUT, 3/8-24 Hex Lock	58	5-8969	ASSEMBLY, Clutch Plate
29	9-0844	PIN, 3/16 x 3/4" Roll	59	7-3216	CABLE, No-Reverse-In-Mow
30	1-2067	RING, Red (2)	60	9-2051	BOLT, #10-24 x 1" Flat Head Square Neck

42" CUTTING DECK ASSEMBLY (page 1 of 4)



* NOTE: THE HEADS OF THESE FASTENERS ARE LOCATED INSIDE THE DECK.

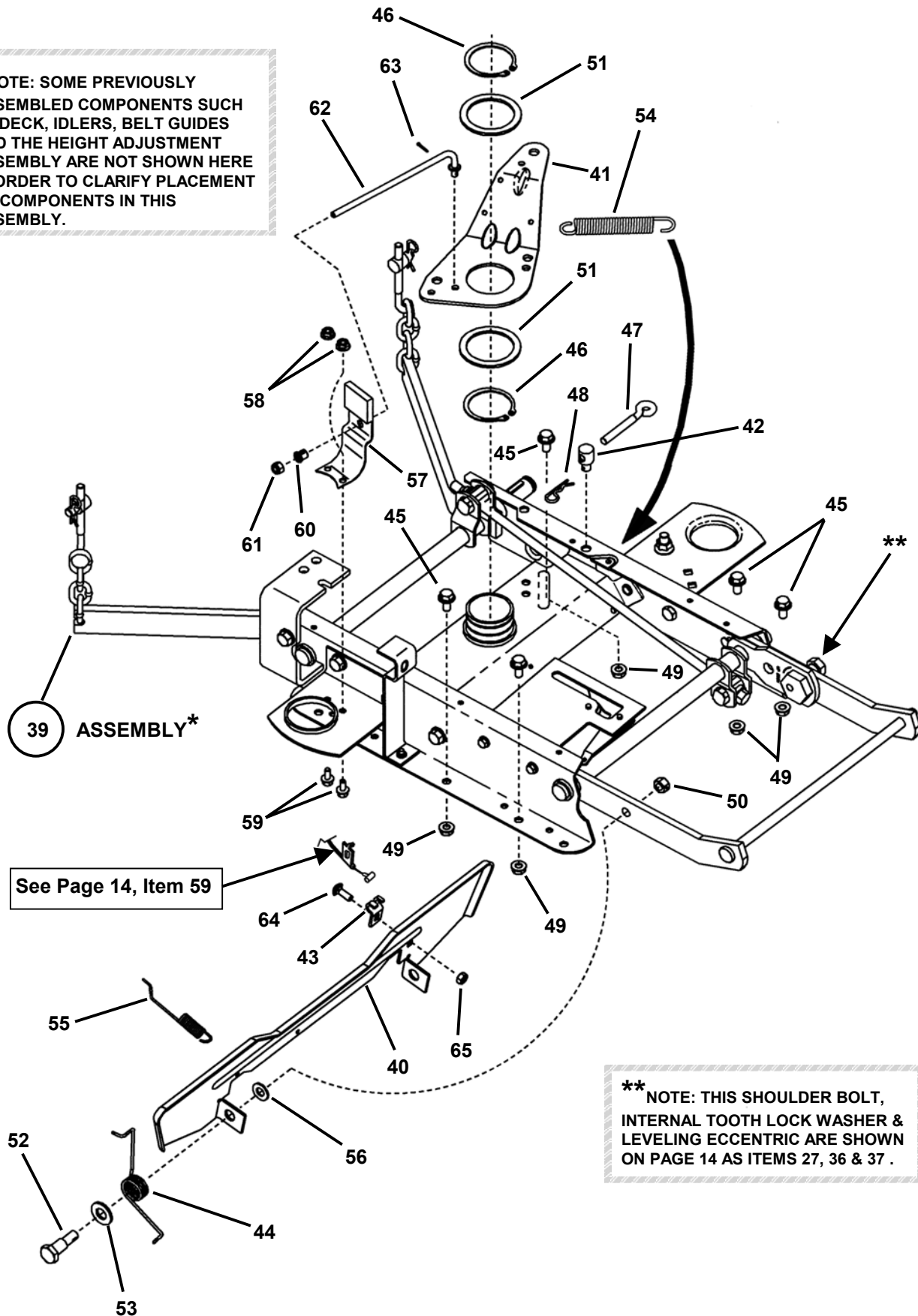
42" CUTTING DECK ASSEMBLY (page 2 of 4)

ITEM	PART NO.	DESCRIPTION
1	4-2645	WELDMENT, 42" Deck
2	5-1401	ASSEMBLY, Side Chute (Includes Decal, Item 14)
3	5-9628	ASSEMBLY, Spindle (2)
4	2-6691	BLADE, 21" Standard Lift (2)
5	1-4168	SPRING, Belt
6	1-2055	ROD, Idler
7	3-8021	MOUNT, Handle
8	4-6874	GRIP, Handle
9	5-3034	ASSEMBLY, Spindle Ring (2)
10	2-9264	WHEEL, Gage (4)
11	3-5835	POST, Anti-Scalp (4)
12	2-9265	BOLT, Gage Wheel, 3/8-16 x 3-3/8" Hex Head Shoulder (4)
13	1-4852	DECAL, Caution
14	2-6831	DECAL, Danger
15	9-0613	NUT, 3/8-16 Hex Flange Lock (6)
16	9-1508	BOLT, 5/16-18 x 3/4" Short Neck Carriage, Grade 5 (4)
17	2-9303	STAND-OFF, 3-1/2" long, 5/16-18 top, 3/8-16 bottom threads (2)
18	9-0613	NUT, 3/8-16 Hex Flange Lock (6)
19	5-9254	WELDMENT, Blade Engage Lever
20	9-0299	SCREW, #10-32 x 1" Hex Washer Self-Tap, Grade 2
21	1-8524	SWITCH, Deck Interlock (NO)
22	9-0055	WASHER, 1/4" Flat
23	9-0037	PIN, 3/32 x 3/4" Cotter
24	1-2063	WASHER, Cone (4)
25	9-0824	SCREW, 3/8-24 x 1" Hex Head Cap, Grade 5
26	1-2670	RING, Tolerance (2)
27	1-4526	SPACER (2)
28	1-1791	RETAINER, 5/16" Bolt (2)
29	9-1537	WING-NUT, 5/16-18 Lock (2)
30	9-1296	WASHER, 5/16" Flat (2)
31	9-1585	NUT, 3/8-16 Hex Center Lock (4)
32	9-1049	WING-NUT, 3/8-16 Nyloc (4)
33	9-1328	SCREW, 3/8-16 x 1-1/4" Hex Head Cap, Grade 5 (4)
34	4-6567	HANDLE, Blade Engagement
35	9-1974	PIN, 3/16 x 1" Clevis
36	4-6648	SPRING, Torsion
37	9-0555	PIN, 3/32 x 1/2" Cotter
38	9-0362	SCREW, 1/4-20 x 5/8" Hex Washer Self-Tap (2)

NOTE: DECK ASSEMBLY IS CONTINUED ON THE FOLLOWING TWO PAGES.

42" CUTTING DECK ASSEMBLY (page 3 of 4)

* NOTE: SOME PREVIOUSLY ASSEMBLED COMPONENTS SUCH AS DECK, IDLERS, BELT GUIDES AND THE HEIGHT ADJUSTMENT ASSEMBLY ARE NOT SHOWN HERE IN ORDER TO CLARIFY PLACEMENT OF COMPONENTS IN THIS ASSEMBLY.



** NOTE: THIS SHOULDER BOLT, INTERNAL TOOTH LOCK WASHER & LEVELING ECCENTRIC ARE SHOWN ON PAGE 14 AS ITEMS 27, 36 & 37 .

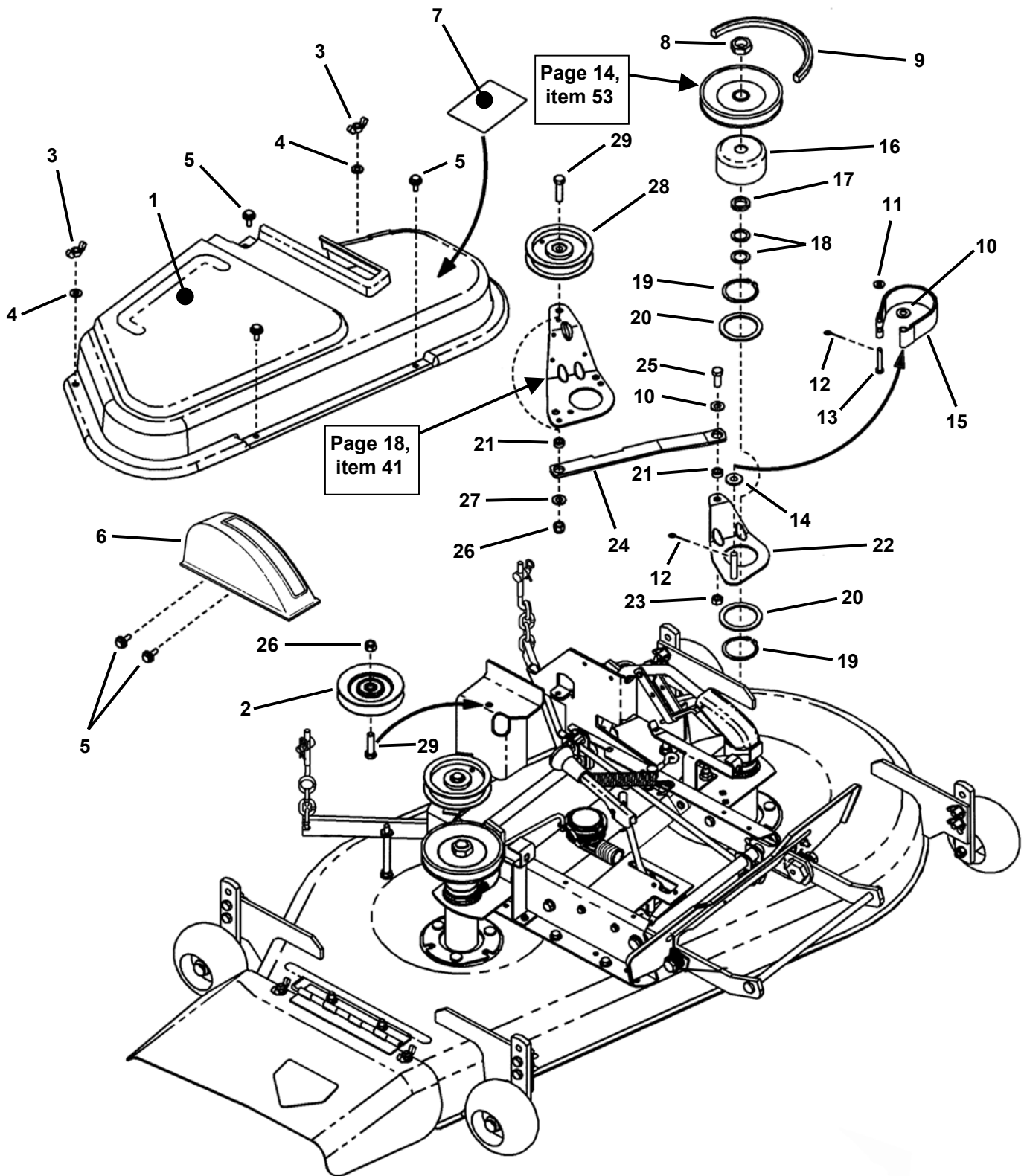
42" CUTTING DECK ASSEMBLY

(page 4 of 4)

ITEM	PART NO.	DESCRIPTION
39	--	ASSEMBLY, Rail (See Pages 14 & 15 for Parts Breakdown)
40	7-3267	PEDAL, Blade Stop Control
41	3-4758	ARM, Idler
42	2-8200	SWIVEL, Adjustable (with 5/16-18 internal thread)
43	7-3217	CLIP, Cable
44	1-5448	SPRING, Pedal
45	9-0606	BOLT, 5/16-18 x 5/8" Hex Flange Lock (5)
46	1-0740	RING, 2" External Retaining (4)
47	2-9244	EYE-BOLT, 5/16-18 x 3"
48	9-1503	HAIRPIN, 3/32 x 1-1/2"
49	9-0585	NUT, 5/16-18 Hex Flange Lock (5)
50	9-0289	NUT, 3/8-24 Hex Center Lock
51	1-4795	WASHER, 2" I. D. Nylon (2)
52	1-5446	BOLT, 3/8-24 x 9/16" Shoulder
53	9-0250	WASHER, 1/2" Flat (3)
54	2-4341	SPRING, Return
55	7-4649	SPRING, Latch
56	9-1514	WASHER, 3/8" Flat
57	3-4754	SPRING BRAKE PAD
58	9-0583	NUT, 1/4-20 Hex Flange Lock
59	9-0584	BOLT, 1/4-20 x 1/2" Hex Flange Lock (2)
60	2-8786	BUSHING, 3/8" Snap Plastic
61	7-6978	NUT, 1/4-20 Hex Nyloc
62	2-8754	LINK, Spindle Brake
63	9-0673	PIN, 1/16 x 1/2" Cotter
64	9-1776	BOLT, 1/4-20 x 3/4" Round Head Square Neck, Grade 5
65	9-1576	NUT, 1/4-20 Hex, Grade 5 or B

NOTE: DECK ASSEMBLY IS CONTINUED FROM THE PREVIOUS THREE PAGES.

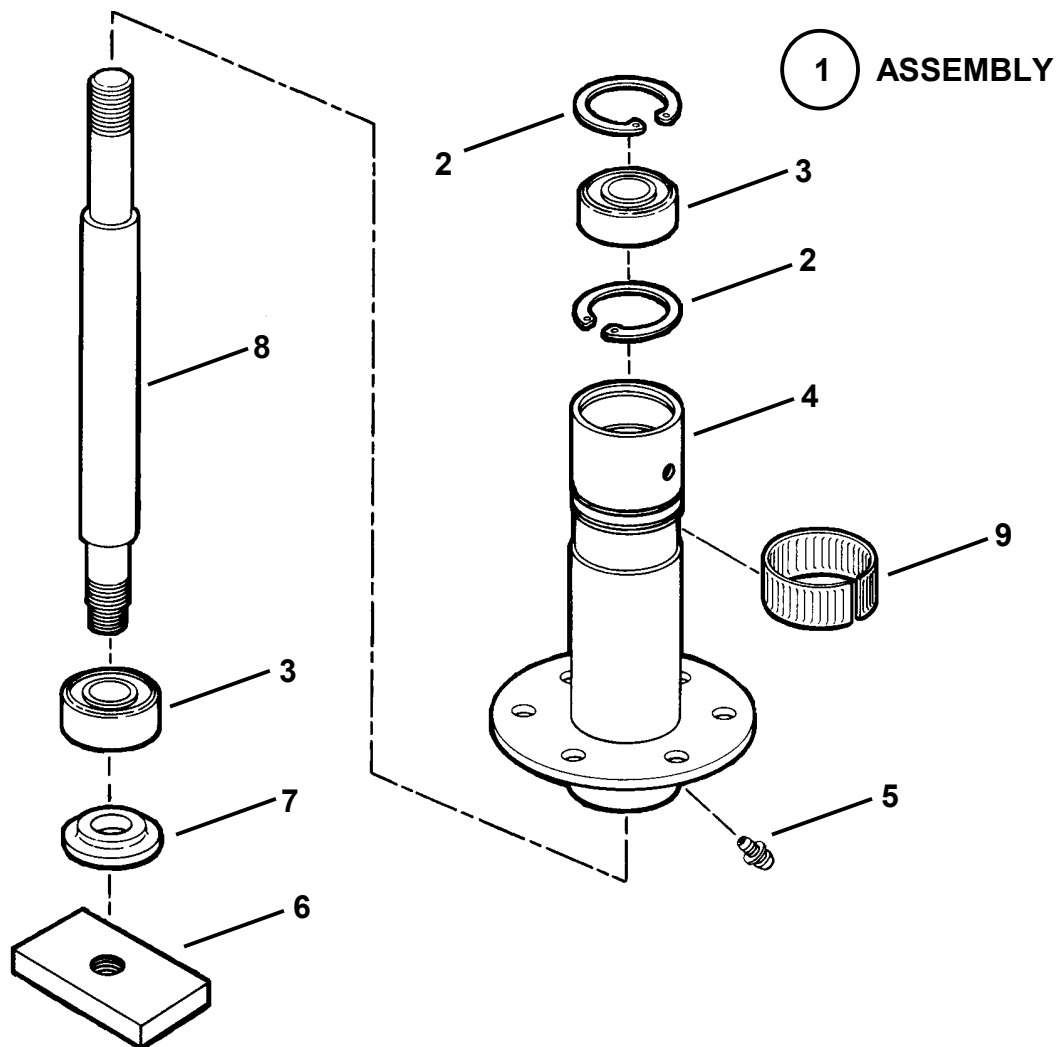
DECK COVER, BELTS, BLADE BRAKE



DECK COVER, BELTS, BLADE BRAKE

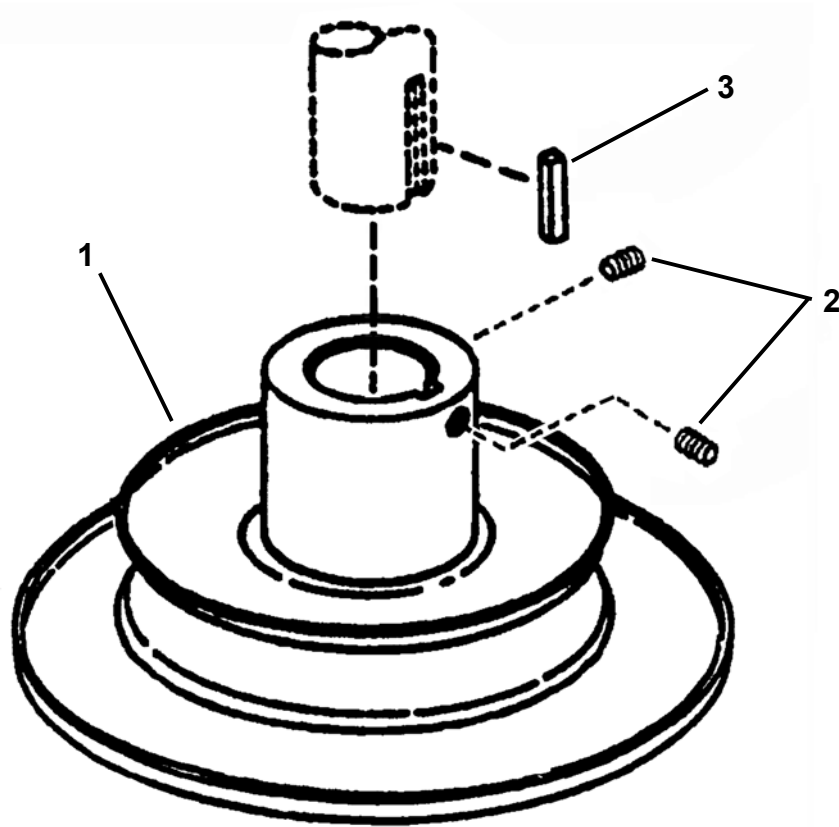
ITEM	PART NO.	DESCRIPTION
1	4-3834	COVER, Spindle 42"
2	2-9624	PULLEY, Seam Welded Idler
3	9-0492	WINGNUT, 5/16-18 (2)
4	9-1296	WASHER, 11/32" x 11/16" x 1/16" Flat (2)
5	9-1016	SCREW, 1/4-20 x 5/8" Hex Washer Head, Self-Tap (5)
6	2-7921	COVER, Lift Quadrant
7	2-8995	DECAL, Brake Operation
8	7-4467	NUT, 3/4-16 Hex Jam Lock
9	2-8784	BELT, (110.28", "5L" Section)
10	9-0122	WASHER, 3/8 Flat (2)
11	9-0055	WASHER, 1/4 Flat
12	9-0037	COTTER-PIN, 3/32 x 3/4" (2)
13	1-4304	PIN, 1/4 x 1-5/8" Clevis
14	1-4314	SPACER
15	3-4852	ASSEMBLY, Brake Band
16	3-5378	DRUM, Brake
17	1-4526	SPACER, 3/4" I.D.
18	1-0935	WASHER, 3/4" Flat (2)
19	1-0740	RING, 2" External Retaining (2)
20	1-4795	WASHER, 2" I.D., Nylon (2)
21	1-4527	SPACER (2)
22	4-7862	WELDMENT, Brake Arm
23	9-0289	NUT, 3/8-24 Hex Center Lock
24	3-4297	LINK
25	9-0160	SCREW, 3/8-24 x 1" Hex Head Cap Grade 5
26	9-1299	NUT, 3/8-16 Hex Nyloc (2)
27	9-1514	WASHER, 3/8 Flat (2)
28	1-8574	PULLEY, 4-1/8" Flat Idler
29	9-1497	SCREW, 3/8-16 x 1-1/2" Hex Head Cap Grade 5 (2)

SPINDLE ASSEMBLY



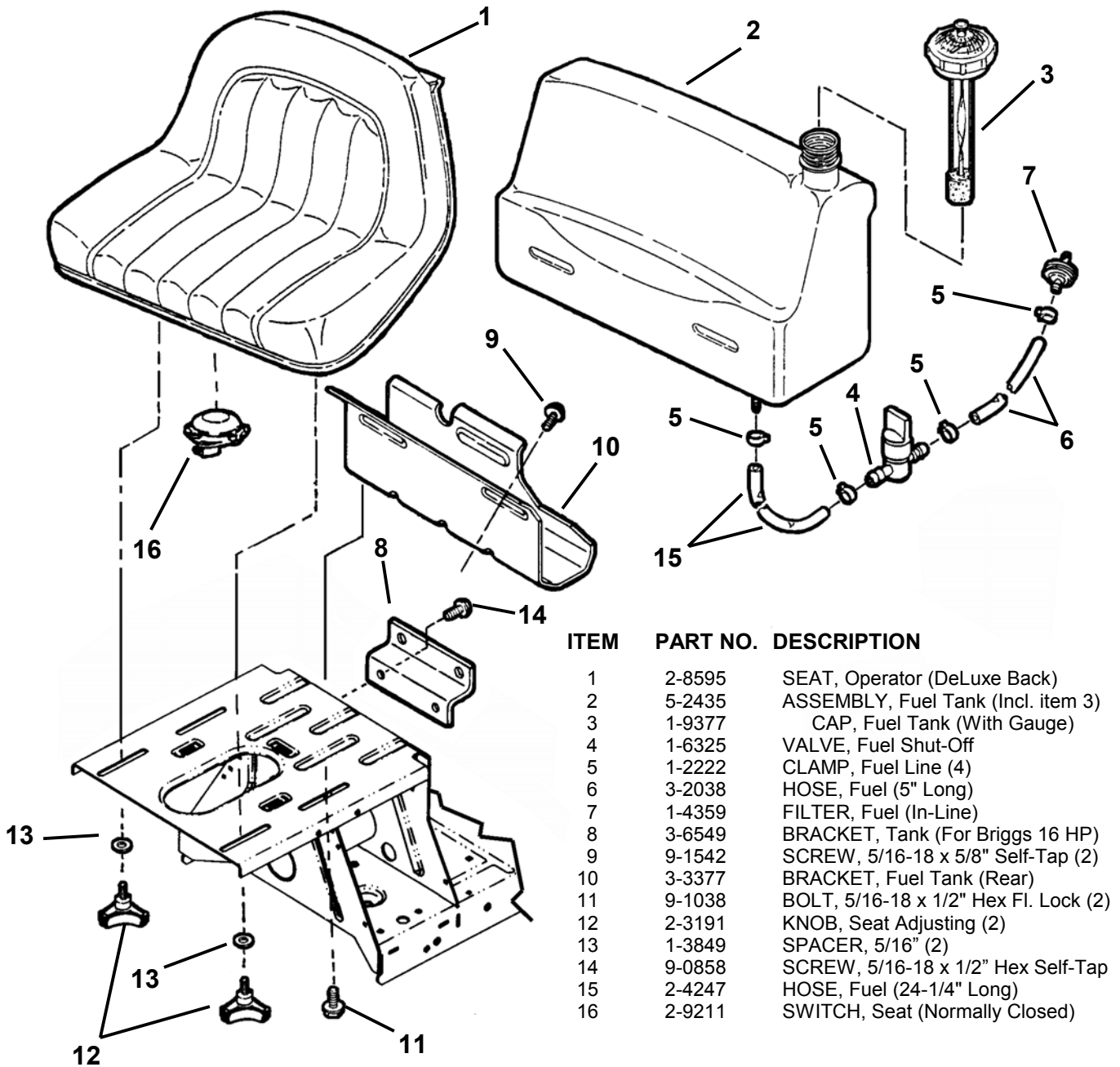
ITEM	PART NO.	DESCRIPTION
1	5-9628	ASSEMBLY, Spindle Housing (Includes items 2 thru 8)
2	1-2491	RING, 1.75" Internal Retaining (2)
3	1-3313	BEARING, Spindle (2)
4	4-7849	HOUSING, Spindle (weldment)
5	1-0817	FITTING, Lube
6	3-2294	HOLDER, Blade
7	1-4407	WASHER, Spindle
8	2-7640	SPINDLE (9.5" Length)
9	1-2670	RING, Tolerance

DRIVE DISC ASSEMBLY



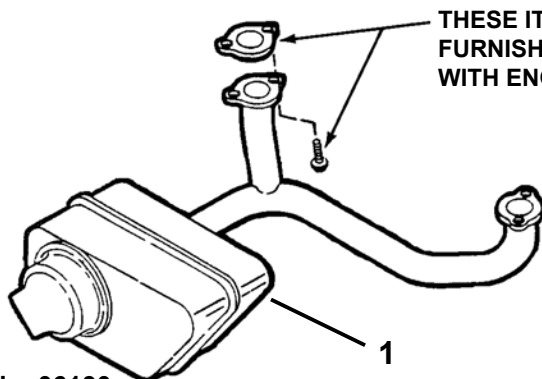
ITEM	PART NO.	DESCRIPTION
1	7-2658	WELDMENT, 5.75" O. D. Drive Disc
2	9-0132	SCREW, 3/8-16 x 3/8" Set (2)
3	1-0210	KEY, 1/4" Square x 2"

FUEL TANK & OPERATOR'S SEAT



ITEM	PART NO.	DESCRIPTION
1	2-8595	SEAT, Operator (DeLuxe Back)
2	5-2435	ASSEMBLY, Fuel Tank (Incl. item 3)
3	1-9377	CAP, Fuel Tank (With Gauge)
4	1-6325	VALVE, Fuel Shut-Off
5	1-2222	CLAMP, Fuel Line (4)
6	3-2038	HOSE, Fuel (5" Long)
7	1-4359	FILTER, Fuel (In-Line)
8	3-6549	BRACKET, Tank (For Briggs 16 HP)
9	9-1542	SCREW, 5/16-18 x 5/8" Self-Tap (2)
10	3-3377	BRACKET, Fuel Tank (Rear)
11	9-1038	BOLT, 5/16-18 x 1/2" Hex Fl. Lock (2)
12	2-3191	KNOB, Seat Adjusting (2)
13	1-3849	SPACER, 5/16" (2)
14	9-0858	SCREW, 5/16-18 x 1/2" Hex Self-Tap
15	2-4247	HOSE, Fuel (24-1/4" Long)
16	2-9211	SWITCH, Seat (Normally Closed)

EXHAUST MUFFLER, ENGINE



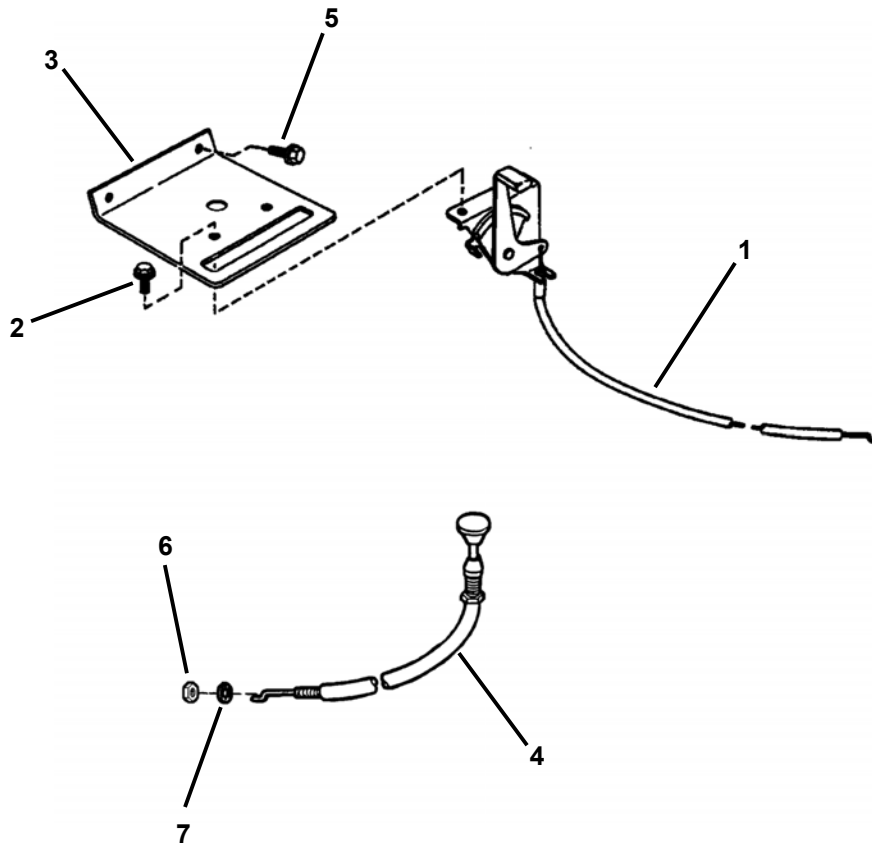
ITEM	PART NO.	DESCRIPTION
1	2-8361	MUFFLER (Briggs 16 HP Engine)

ENGINE SPECIFICATIONS

MODEL: 303777

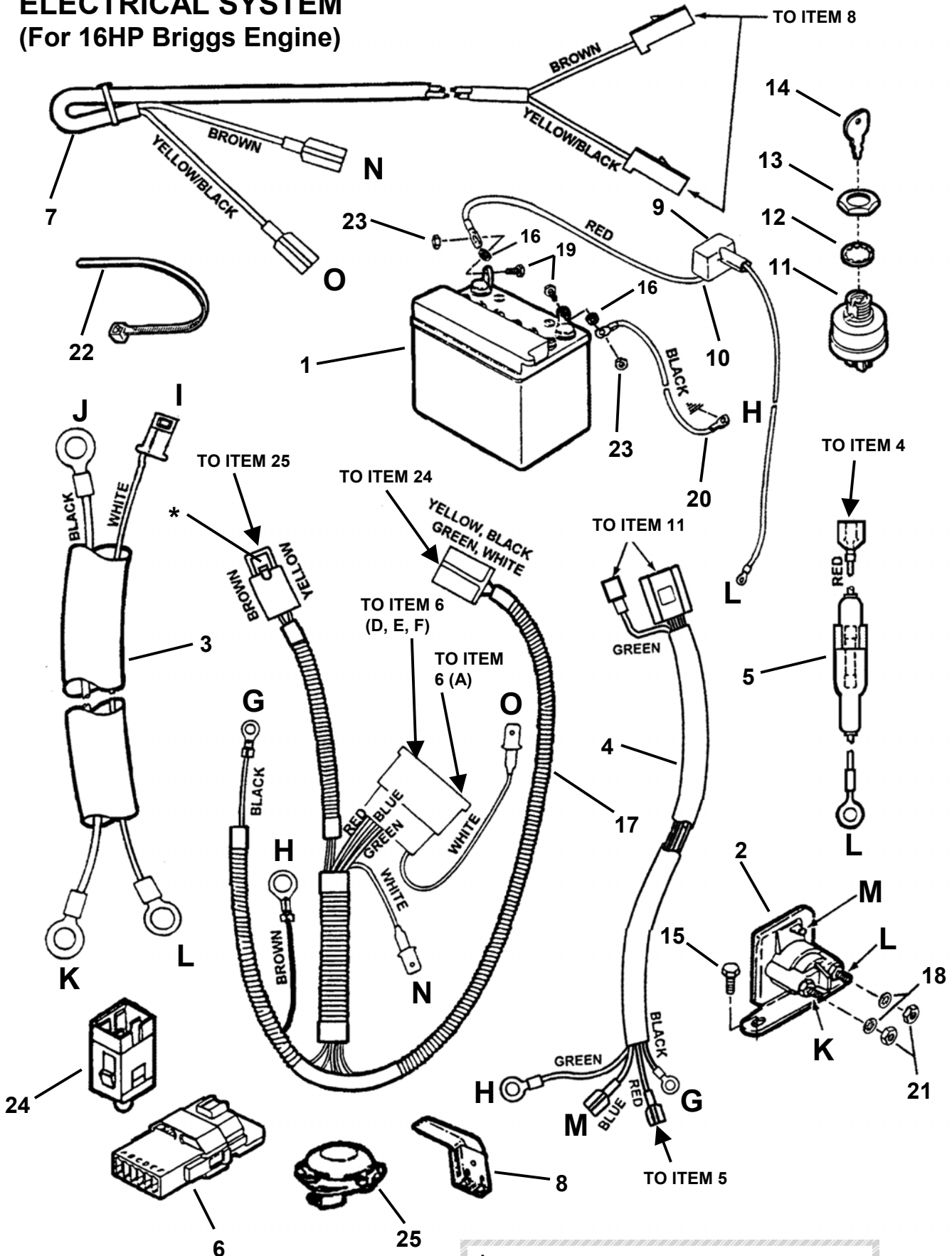
TYPE: 1145E1

THROTTLE CONTROL



ITEM	PART NO.	DESCRIPTION
1	7-4321	CONTROL, Throttle (33.6" long) (Briggs Engines)
2	9-0913	SCREW, #10-24 x 1/2" Hex Washer Head, Self-Tap (Torx) (5)
3	3-3470	PLATE, Throttle Control
4	2-4185	CONTROL, Choke
5	9-0539	SCREW, 1/4-20 x 5/8" Self-Tap (2)
6	9-0155	NUT, 3/8-24 Hex
7	9-0390	WASHER, 3/8" Internal Tooth Lock

ELECTRICAL SYSTEM (For 16HP Briggs Engine)

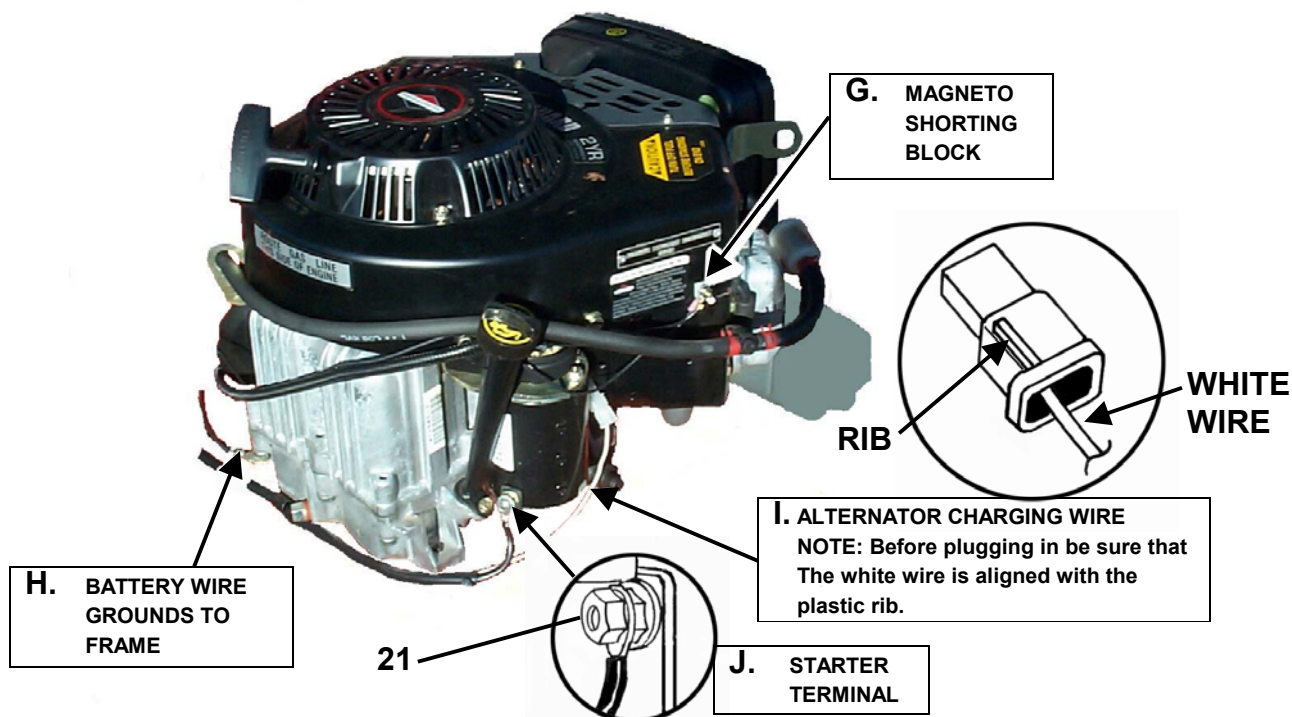


***NOTE: GROUNDING PLUNGER (GROUNDS MAGNETO UNLESS FULLY DEPRESSED)**

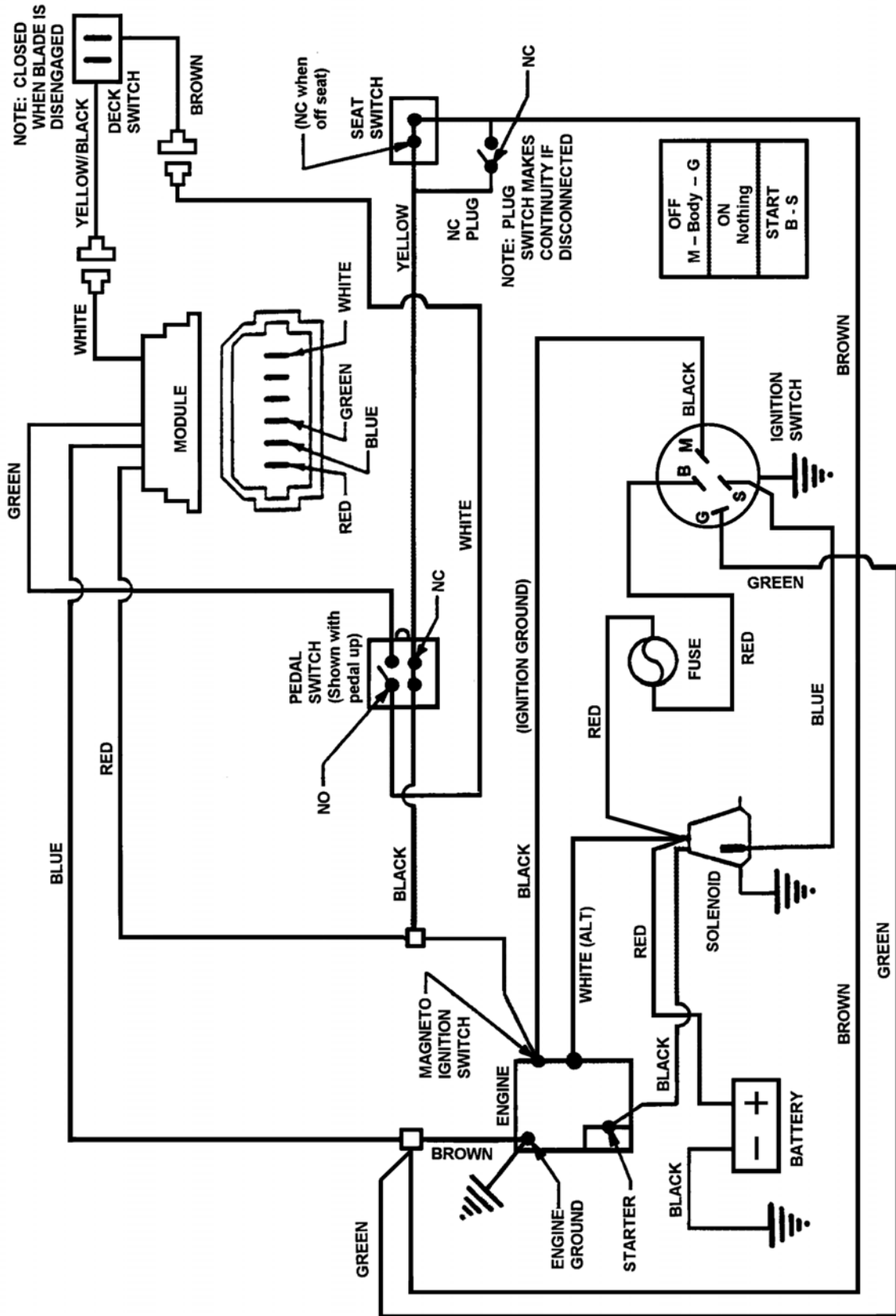
ELECTRICAL SYSTEM

(For 16HP Briggs Engine)

ITEM	PART NO.	DESCRIPTION
1	6-0753	KIT, 12V Dry Charge Battery
2	1-8817	SOLENOID
3	3-5555	HARNESS, Starter Wiring (Briggs)
4	7-4259	HARNESS, Ignition Wiring (Briggs)
5	1-6168	HOLDER, Fuse (Includes Fuse)
--	1-6169	FUSE (10 AMP)
6	2-8606	INTERLOCK Module (Briggs)
7	2-8386	HARNESS, Deck Interlock Wiring
8	1-8524	SWITCH, Deck Interlock (Normally Open)
9	1-2444	COVER, Battery Cable
10	1-9326	CABLE, Positive (Red) (17" Long)
11	7-3797	SWITCH, Ignition (Indak #3G463A)
12	9-0880	WASHER, 5/8" Internal Tooth Lock
13	1-5438	NUT, 5/8-32 Hex
14	1-1138	KEY, Switch (2)
15	9-0539	SCREW, 1/4-20 x 1/2"Hex Washer Self-Tap (3)
16	1-2485	RETAINER, 1/4" Bolt (2)
17	2-8770	HARNESS WIRE (Operator Presence Control) (Briggs)
18	9-0053	WASHER, 1/4 Internal Tooth Lock (2)
19	2-7172	SCREW, 1/4-20 x 5/8" Hex Head Cap, Grade 5 (2)
20	2-8027	CABLE, Negative (15" Long)
21	9-1576	NUT, 1/4-20 Hex Grade 5 or B
22	1-2080	TIE, 7" Long Cable (2)
23	9-0372	NUT, 1/4-20 Hex Center Lock, Grade 5 or B (2)
24	2-2886	SWITCH, Operator Presence Control (OPC) Traction (NO/NC)
25	2-9211	SWITCH, Seat (Normally Closed)



WIRING SCHEMATIC



WIRING SCHEMATIC FOR 16 HP BRIGGS ENGINE



BEFORE STARTING ENGINE OR DISMOUNTING MOWER

- PRESS CLUTCH/BRAKE PEDAL FULLY
- ENGAGE PARKING BRAKE
- BLADE LEVER MUST BE "OFF"
- MOVE SHIFT LEVER TO "N" NEUTRAL

WARNING

AVOID SERIOUS INJURY OR DEATH

- READ ALL MANUALS AND INSTRUCTIONS FURNISHED WITH THE MACHINE.
- MAKE SURE THAT SHIELDS, GUARDS, SWITCHES, AND OTHER SAFETY DEVICES ARE IN PROPER POSITION AND FUNCTIONAL.
- CLEAR MOWING AREA OF WIRE, ROCKS AND OTHER OBJECTS THAT COULD CAUSE INJURY IF THROWN BY BLADE.
- DO NOT ALLOW CHILDREN (PRE-TEENAGERS) ON MACHINE (EVEN WITH BLADE OFF) OR IN YARD WHEN MOWING. KEEP OTHERS SAFELY AWAY FROM THE OPERATING AREA.
- LOOK DOWN AND BEHIND MACHINE BEFORE AND WHILE BACKING.
- DO NOT MOW ON SLOPES, OR IN ANY AREA WHERE STABILITY OR TRACTION IS IN DOUBT. IF YOU CAN NOT BACK-UP A SLOPE, DO NOT MOW ON IT.
- DO NOT MOW ACROSS FACE OF SLOPES. REDUCE SPEED AND AVOID SHARP TURNS ON SLOPES.
- AVOID UPHILL STARTS. IF THE MACHINE IS STOPPED GOING UP A SLOPE, TURN BLADE OFF AND BACK DOWN THE SLOPE.
- STOP BLADE BEFORE PUTTING FOOT ON GROUND OR LEAVING SEAT.
- AVOID SUDDEN TURNS.

46440

WARNING

GUARD OR ENTIRE GRASS CATCHER MUST BE INSTALLED BEFORE OPERATING MOWER

46720

CAUTION

POSITIVE (+) BATTERY POST MUST BE TO REAR TO PREVENT ARCING AND POSSIBLE EXPLOSION OR FIRE.

USE ONLY SNAPPER REPLACEMENT BATTERY TO AVOID ACID DAMAGE.

1-5691

DANGER

KEEP HANDS and FEET AWAY

2-6831

ITEM	PART NO.	DESCRIPTION
1	7-1916	DECAL, SNAPPER
2	4-6440	DECAL, Warning, Safety Instruction
3	4-6720	DECAL, Chute/Deflector
4	1-5691	DECAL, Caution, Battery
5	2-6831	DECAL, Danger (Heavy Adhesive)

DECALS (Continued On Next 2 Pages)

DECALS (continued)

BRAKE OPERATION

TO STOP: DEPRESS CLUTCH/BRAKE PEDAL
 TO SET PARKING BRAKE: DEPRESS CLUTCH/BRAKE PEDAL, LIFT PARK LATCH, AND RELEASE CLUTCH/BRAKE PEDAL.
 TO RELEASE PARKING BRAKE: DEPRESS CLUTCH/BRAKE PEDAL.

BLADE OPERATION

TO START BLADE: SHIFT BLADE LEVER ON & HOLD PUSH BLADE PEDAL WITH HEEL. KEEP EITHER HEEL ON BLADE PEDAL TO MOW.
 TO STOP BLADE: REMOVE HEEL FROM BLADE PEDALS OR SHIFT BLADE LEVER OFF.




CLUTCH/
BRAKE

28995

**REMOVE BATTERY BEFORE
STANDING MOWER ON END
FOR MORE THAN 2 HOURS**

1-2358

⚠ DANGER



- BLADES MUST BE TURNED OFF BEFORE BACKING MACHINE
- DO NOT ALLOW CHILDREN ON MACHINE (EVEN WITH BLADES OFF) OR IN YARD WHEN MOWING

**ON
BLADE
OFF**



73066

**TO STAND ON END:
CLOSE CAP VENT AND REMOVE TANK
IF FUEL IS OVER 3/4 FULL.**

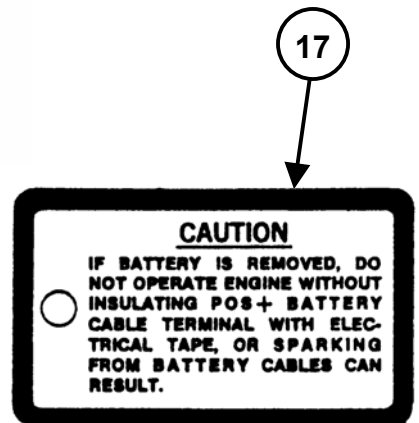
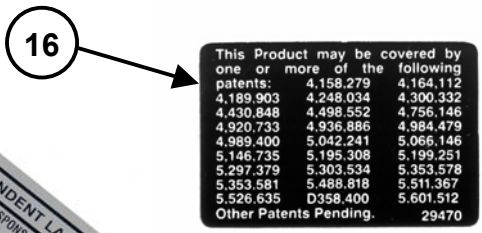
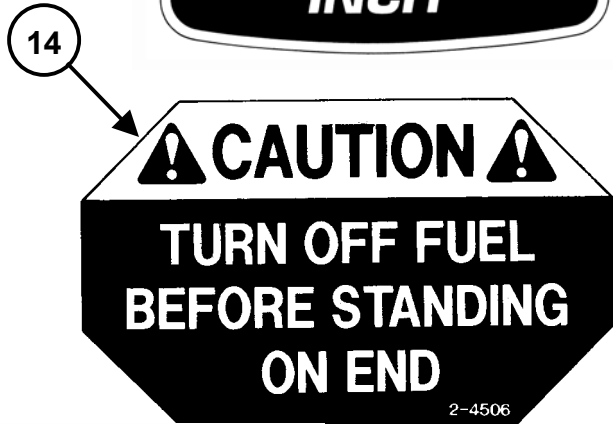
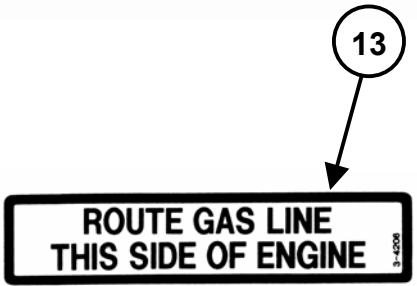
29113

ITEM	PART NO.	DESCRIPTION
6	2-8995	DECAL, Brake/Blade Operation
7	7-4481	DECAL, No Mow in Reverse
8	1-2358	DECAL, Battery Storage
9	2-9113	DECAL, Caution, Fuel
10	7-3066	DECAL, Blade Engagement (42")

DECALS (Continued On Next Page)

11

**DECALS
(continued)**



ITEM	PART NO.	DESCRIPTION
11	7-3537	DECAL, B&S Air Index/Emission Label
12	2-4910	DECAL, 42 Inch
13	3-4206	DECAL, Fuel Routing
14	2-4506	DECAL, Fuel Shut-Off
15	7-3335	DECAL, OPEI Ride On
16	2-9470	DECAL, Patent Numbers
17	1-6134	DECAL, Caution Tag

DECALS (Continued From Previous Two Pages)

Parts Manual for

SNAPPER[®]

REAR ENGINE RIDER

42" MOWER

SERIES 22

MODELS
421622BVE

SNAPPER REAR ENGINE RIDER ACCESSORIES

PART NO.	DESCRIPTION OF KIT	MODELS USED ON
6-1987.....	Ninja Mulching	All 42" Deck Rear Engine Riders
6-0944.....	Single Bag Collector (5 Bu.).....	All 42" Deck Rear Engine Riders
6-0948.....	Thatcherizer 28"	All 42" Deck Rear Engine Riders
6-0959.....	Dozer Blade (36" Blade)	All 42" Deck Rear Engine Riders
6-1822.....	Tire Chains	All 42" Deck Rear Engine Riders
6-0697.....	Dump Cart (6 Cu. Ft.)	All 42" Deck Rear Engine Riders

IT IS THE POLICY OF SNAPPER TO IMPROVE ITS PRODUCTS WHENEVER IT IS POSSIBLE AND PRACTICAL TO DO SO. WE RESERVE THE RIGHT TO MAKE CHANGES OR ADD IMPROVEMENTS AT ANY TIME WITHOUT INCURRING ANY OBLIGATION TO MAKE SUCH CHANGES ON PRODUCTS MANUFACTURED PREVIOUSLY.

SNAPPER[®] McDonough, GA., 30253 U.S.A.

COPYRIGHT © 2002
SNAPPER INC.
ALL RIGHTS RESERVED

MANUAL No. 06130

(Rev. 1, 06/30/02)

Printed in U. S. A.